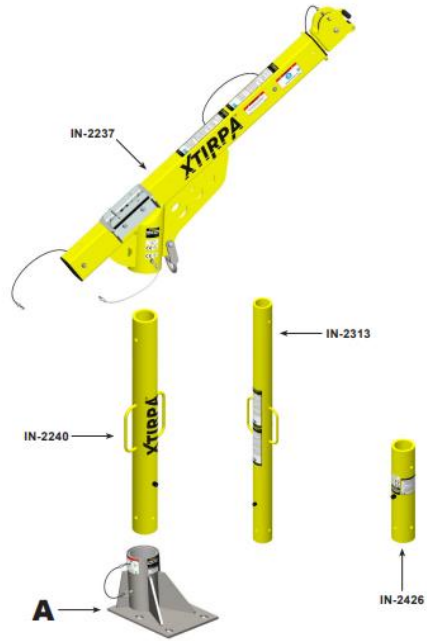


- IN-8002
- IN-8003
- IN-8004
- IN-8005**
- IN-8006
- IN-8007
- IN-8008
- IN-8010
- IN-8011
- IN-8012
- IN-8013
- IN-8014
- IN-8016
- IN-8015
- IN-8017
- IN-8018
- IN-8019
- IN-8020
- IN-8021

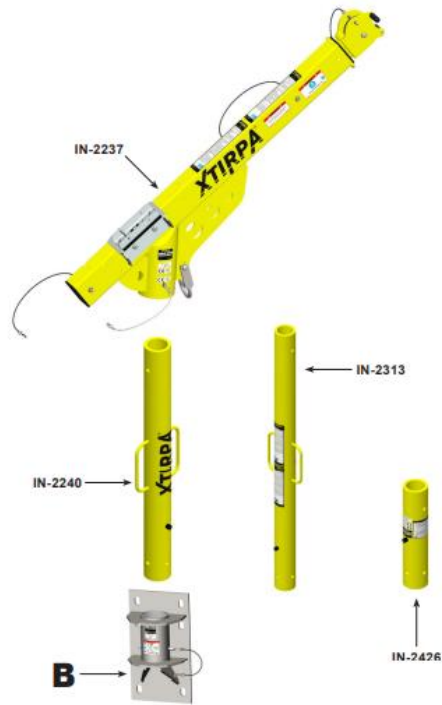
**XTIRPA 30"-48" (762-1219 mm) EXTENDABLE DAVIT ARM SYSTEM FOR PPE**  
**SYSTÈME POTENCE EXTENSIBLE 30"-48" (762-1219 mm) XTIRPA POUR EPI**



INDEX

A	Material / Matériel				Standards / Normes					
	Stainless Steel / Acier Inox		Steel 50W / Acier		AS / NZS	ANSI	CSA	OSHA	EN 795	TS
No.	304	316	Zinc	Galvani.						
IN-2238	X					X	X	X	X	X
IN-2302			X			X	X	X	X	X
IN-2452		X				X	X	X	X	X
IN-2527				X		X	X	X	X	X

**XTIRPA 30"-48" (762-1219 MM) EXTENDABLE DAVIT ARM SYSTEM FOR PPE**  
**SYSTÈME POTENCE EXTENSIBLE 30"-48" (762-1219 MM) XTIRPA POUR EPI**



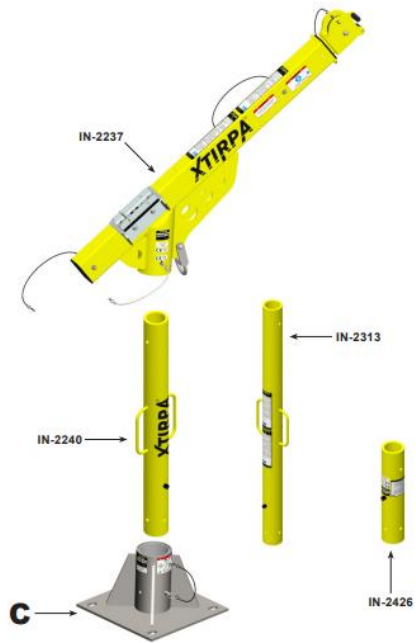
**IN-8005**

- IN-8002
- IN-8003
- IN-8004
- IN-8005**
- IN-8006
- IN-8007
- IN-8008
- IN-8010
- IN-8011
- IN-8012
- IN-8013
- IN-8014
- IN-8015
- IN-8016
- IN-8017
- IN-8018
- IN-8019
- IN-8020
- IN-8021

<b>B</b>	Material / Matériel				Standards / Normes					
	Stainless Steel / Acier Inox		Steel S0W / Acier		AS / NZS	ANSI	CSA	OSHA	EN 795	TS
No.	304	316	Zinc	Galvani						
IN-2253	X					X	X	X	X	X
IN-2303			X			X	X	X	X	X
IN-2468		X				X	X	X	X	X
IN-2526				X		X	X	X	X	X

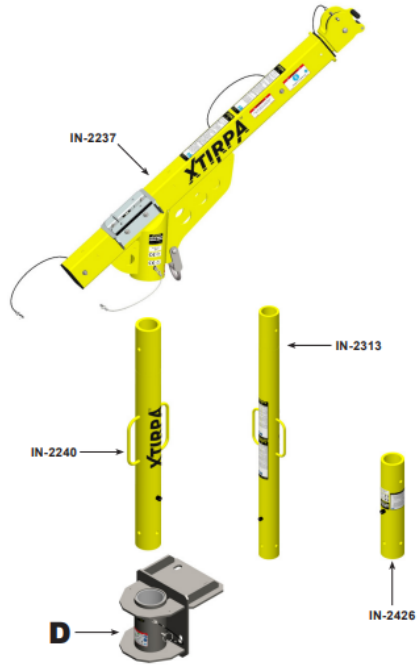
- IN-8002
- IN-8003
- IN-8004
- IN-8005
- IN-8006
- IN-8007
- IN-8008
- IN-8010
- IN-8011
- IN-8012
- IN-8013
- IN-8014
- IN-8015
- IN-8016
- IN-8017
- IN-8018
- IN-8019
- IN-8020
- IN-8021

**XTIRPA 30"-48" (762-1219 MM) EXTENDABLE DAVIT ARM SYSTEM FOR PPE**  
**SYSTÈME POTENCE EXTENSIBLE 30"-48" (762-1219 MM) XTIRPA POUR EPI**



C	Material / Matériel				Standards / Normes					
	Stainless Steel / Acier Inox		Steel 50W / Acier		AS / NZS	ANSI	CSA	OSHA	EN 795	TS
	No.	304	316	Zinc Galvani.						
IN-2254	X				X	X	X	X	X	X
IN-2304			X		X	X	X	X	X	X
IN-2451		X			X	X	X	X	X	X
IN-2529				X	X	X	X	X	X	X

**XTIRPA 30"-48" (762-1219 mm) EXTENDABLE DAVIT ARM SYSTEM FOR PPE**  
**SYSTÈME POTENCE EXTENSIBLE 30"-48" (762-1219 mm) XTIRPA POUR EPI**



D	Material / Matériel				Standards / Normes					
	Stainless Steel / Acier Inox		Steel 50W / Acier		AS / NZS	ANSI	CSA	OSHA	EN 795	TS
	304	316	Zinc	Galvani.						
IN-2516	X					X	X	X	X	X

IN-8002

IN-8003

IN-8004

**IN-8005**

IN-8006

IN-8007

IN-8008

IN-8010

IN-8011

IN-8012

IN-8013

IN-8014

IN-8015

IN-8016

IN-8017

IN-8018

IN-8019

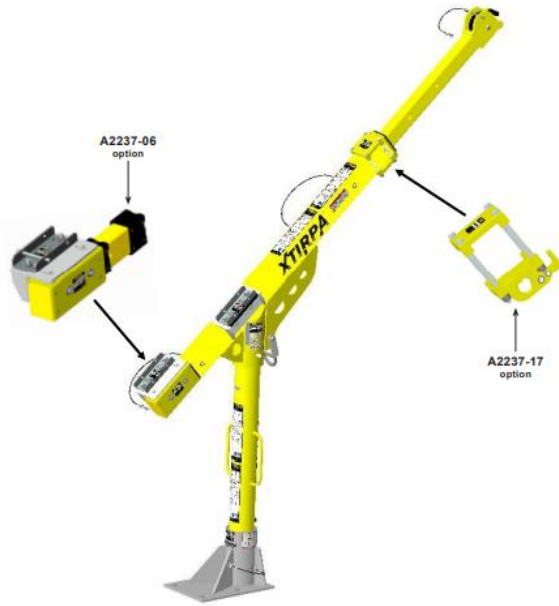
IN-8020

IN-8021

INDEX

- IN-8002
- IN-8003
- IN-8004
- IN-8005
- IN-8006
- IN-8007
- IN-8008
- IN-8010
- IN-8011
- IN-8012
- IN-8013
- IN-8014
- IN-8016
- IN-8016
- IN-8017
- IN-8018
- IN-8019
- IN-8020
- IN-8021

**XTIRPA 30"-48" (762-1219 mm) EXTENDABLE DAVIT ARM SYSTEM FOR PPE**  
**SYSTÈME POTENCE EXTENSIBLE 30"-48" (762-1219 mm) XTIRPA POUR EPI**

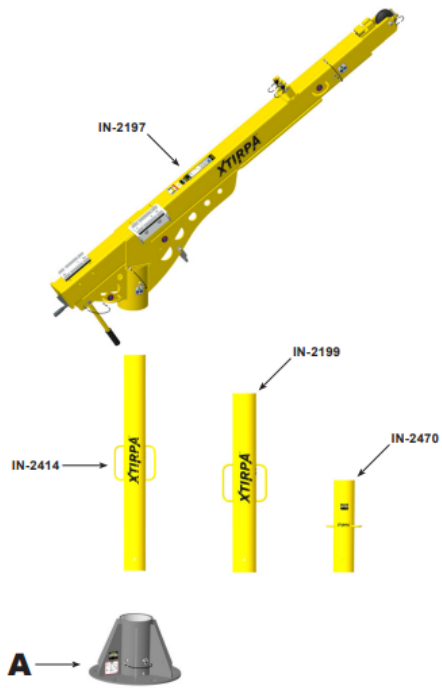


INDEX

No.	Material / Matériel				Standards / Normes					
	Stainless Steel / Acier Inox		Steel 50W / Acier		AS / NZS	ANSI	CSA	OSHA	EN 795	TS
	304	316	Zinc	Galvanz.						
A2237-06						x	x	x	x	x
A2237-17						x	x	x	x	x

- IN-8002
- IN-8003
- IN-8004
- IN-8005
- IN-8006**
- IN-8007
- IN-8008
- IN-8010
- IN-8011
- IN-8012
- IN-8013
- IN-8014
- IN-8015
- IN-8016
- IN-8017
- IN-8018
- IN-8019
- IN-8020
- IN-8021

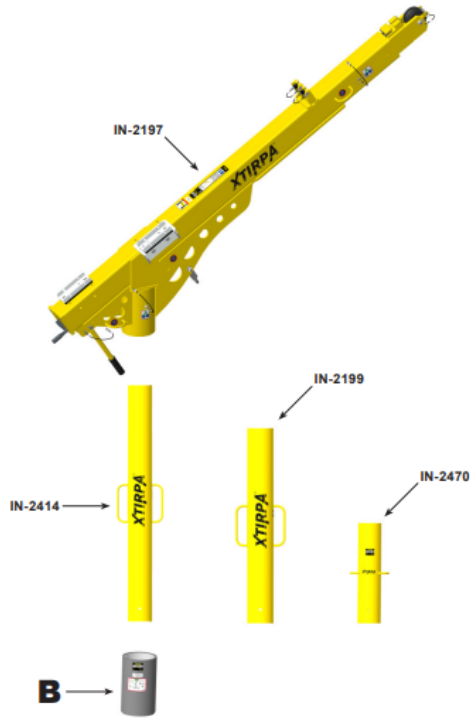
**XTIRPA 60"-96" (1524-2439 mm) EXTENDABLE DAVIT ARM SYSTEM FOR PPE**  
**SYSTÈME POTENCE EXTENSIBLE 60"-96" (1524-2439 mm) XTIRPA POUR EPI**



INDEX

A	Material / Matériel				Standards / Normes					
	Stainless Steel / Acier Inox		Steel 50W / Acier		AS / NZS	ANSI	CSA	OSHA	EN 795	TS
	304	316	Zinc	Galv.						
IN-2544		X			X	X	X	X	X	X
IN-2546	X				X	X	X	X	X	X

**XTIRPA 60"-96" (1524-2439 MM) EXTENDABLE DAVIT ARM SYSTEM FOR PPE**  
**SYSTÈME POTENCE EXTENSIBLE 60"-96" (1524-2439 MM) XTIRPA POUR EPI**



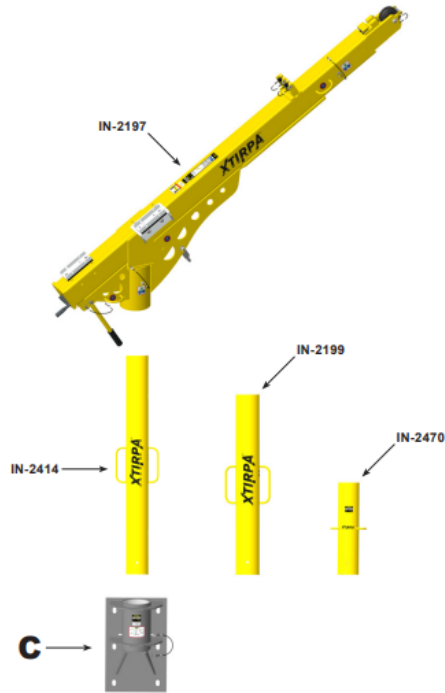
- IN-8002
- IN-8003
- IN-8004
- IN-8005
- IN-8006**
- IN-8007
- IN-8008
- IN-8010
- IN-8011
- IN-8012
- IN-8013
- IN-8014
- IN-8015
- IN-8016
- IN-8017
- IN-8018
- IN-8019
- IN-8020
- IN-8021

B	Material / Matériel				Standards / Normes					
	Stainless Steel / Acier Inox		Steel S0W / Acier		AS / NZS	ANSI	CSA	OSHA	EN 795	TS
	304	316	Zinc	Galvani.						
IN-2200	X				X	X	X	X	X	X
IN-2550		X			X	X	X	X	X	X

INDEX

- IN-8002
- IN-8003
- IN-8004
- IN-8005
- IN-8006**
- IN-8007
- IN-8008
- IN-8010
- IN-8011
- IN-8012
- IN-8013
- IN-8014
- IN-8015
- IN-8016
- IN-8017
- IN-8018
- IN-8019
- IN-8020
- IN-8021

**XTIRPA 60"-96" (1524-2439 mm) EXTENDABLE DAVIT ARM SYSTEM FOR PPE**  
**SYSTÈME POTENCE EXTENSIBLE 60"-96" (1524-2439 mm) XTIRPA POUR EPI**

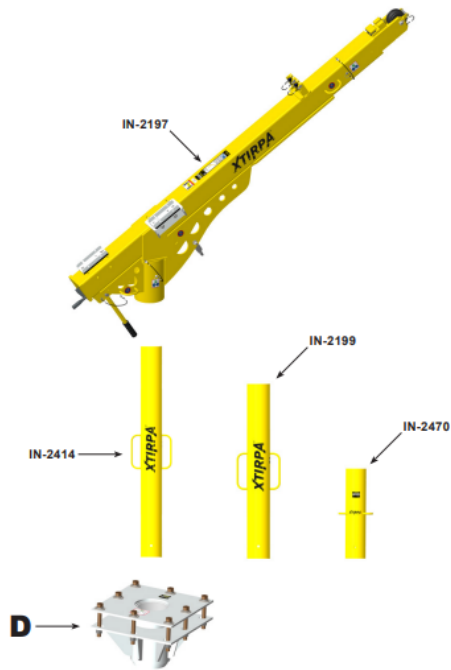


INDEX

C	Material / Matériel				Standards / Normes					
	No.	304	316	Zinc Galvani.	AS / NZS	ANSI	CSA	OSHA	EN 795	TS
IN-2420	X				X	X	X	X	X	X



**XTIRPA 60"-96" (1524-2439 mm) EXTENDABLE DAVIT ARM SYSTEM FOR PPE**  
**SYSTÈME POTENCE EXTENSIBLE 60"-96" (1524-2439 mm) XTIRPA POUR EPI**



- IN-8002
- IN-8003
- IN-8004
- IN-8005
- IN-8006**
- IN-8007
- IN-8008
- IN-8010
- IN-8011
- IN-8012
- IN-8013
- IN-8014
- IN-8015
- IN-8016
- IN-8017
- IN-8018
- IN-8019
- IN-8020
- IN-8021

D	Material / Matériel				Standards / Normes					
	Stainless Steel / Acier Inox		Steel 50W / Acier		AS / NZS	ANSI	CSA	OSHA	EN 795	TS
No.	304	316	Zinc	Galvans.						
IN-2422			X			X	X	X		

INDEX