

# PATROL OVERHEAD



## OVERHEAD LIFELINE ON STEEL AND CONCRETE



### APPLICATION

Lifeline for aerial applications such as maintenance of coaches, trucks, machinery and aeroplanes.

### SAFE

Sliding device that allows operators to pass intermediate elements and curves without ever disengaging from the system.

### PRACTICAL

Possibility of anchoring to the upside-down TOWER support to lower the lifeline relative to the ceiling.



LOAD DIRECTION



TYPES OF APPLICATION



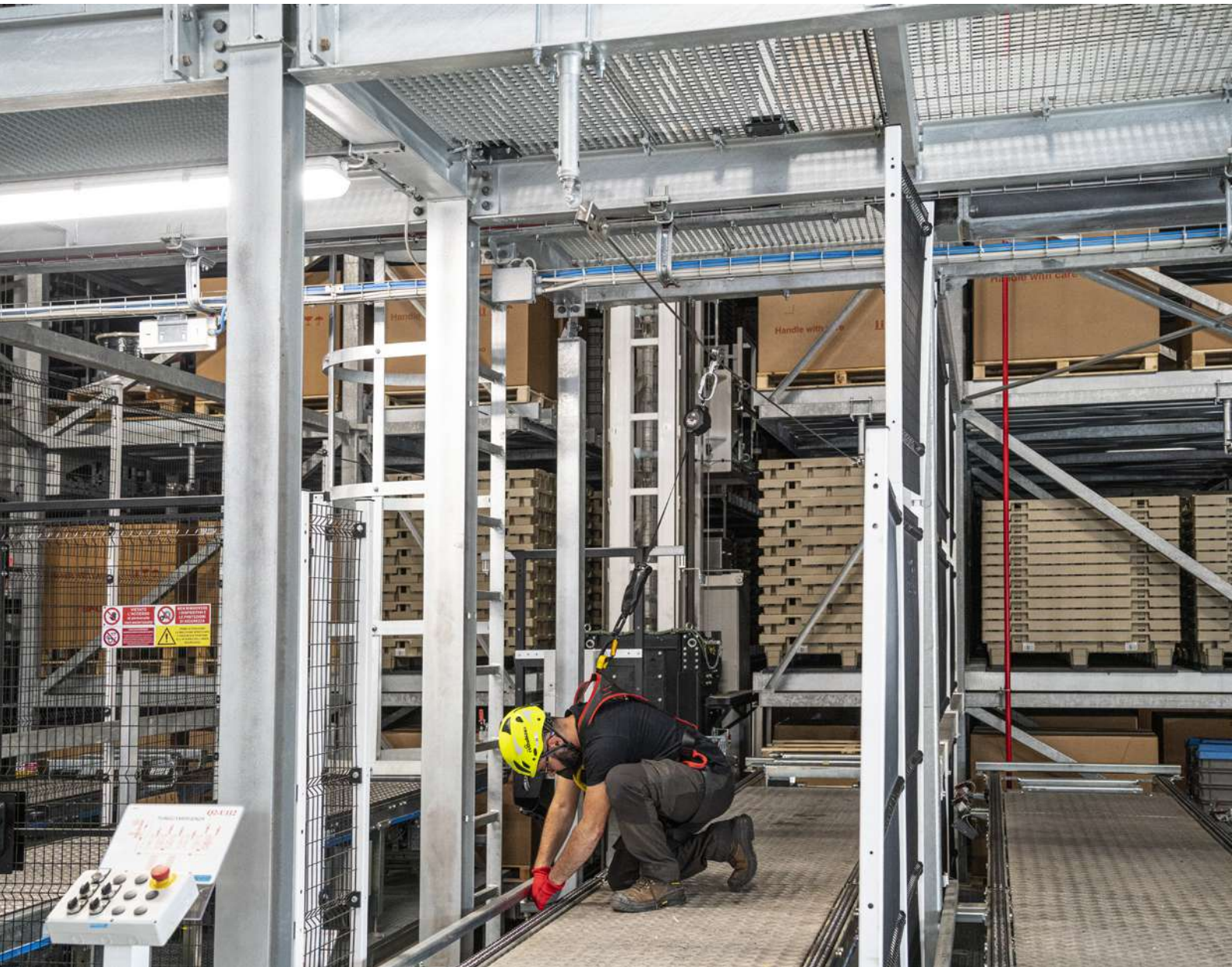
VIDEO



MANUALS

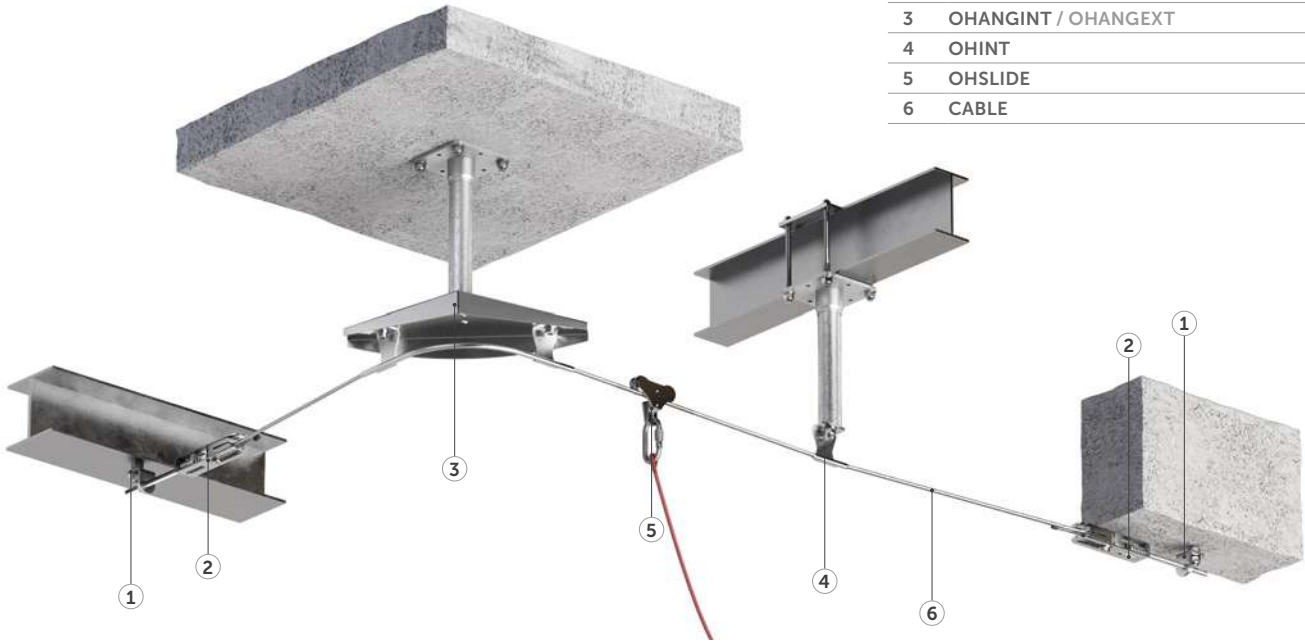


▼ Installation of an overhead PATROL lifeline directly on the steel or concrete supporting structure.



## PATROL LIFELINE COMPONENTS

n.	CODE
1	PATROLEND / PATROLTERM
2	SPEAR / SPEAREVO
3	OHANGINT / OHANGEXT
4	OHINT
5	OHSLIDE
6	CABLE



## TECHNICAL DATA\*

substructure	minimum thickness	fasteners
C20/25	140 mm	rod $\varnothing 12/\varnothing 16$ VIN-FIX HYB-FIX
S235JR	5 mm	EKS + ULS + MUT

		with SPEAR	with SPEAREVO
minimum spacing	$X_{min}$ [m]	2	-
maximum spacing	$X_{max}$ [m]	7,5	-
maximum deflection	$Y_{max}$ [m]	1,30	-

\* The values indicated are the result of experimental tests carried out under the supervision of third parties in accordance with the standard referred to. For a calculation report with minimum distances according to the relevant standard requirements, the substructure must be checked by a qualified engineer before installation.

## PATROLEND | CODES AND DIMENSIONS

A2  
AISI 304

CODE	material	B	H	L	s	pcs	
		[mm]	[mm]	[mm]	[mm]		
PATROLEND	AISI 304 stainless steel grade 1.4301	40	61	66	6	1	
PATROLTERM	AISI 304 stainless steel grade 1.4301						

## COMPLEMENTARY PRODUCTS

CODE	description	page	
OHINT	pass-through intermediate element for aerial application	48	
OHANGINT	inside pass-through angle bracket for aerial application in A4	49	

CODE	description	page	
OHANGEXT	outside pass-through angle bracket for aerial application in A4	50	

For TOWER codes see page 22.