

# PATROL + SHIELD | SHIELD 2

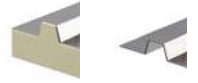
EAC

## LIFELINE ON SUPPORT FOR TRAPEZOIDAL METAL ROOFS WITH AND WITHOUT INSULATION LAYER

EN 795:2012 C	CEN/TS 16415:2013	UNI 11578:2015 C	AS/NZS 1891.2:2001	AS/NZS 1891.4:2009
------------------	----------------------	------------------------	-----------------------	-----------------------

### COMPLETE

The package includes fasteners and cellular rubber seals, to ensure waterproofing.



### APPLICATION

Used on all trapezoidal metal roofs with and without insulation layer with spacing between frets of up to 420 mm.



LOAD DIRECTION



TYPES OF APPLICATION

### USE

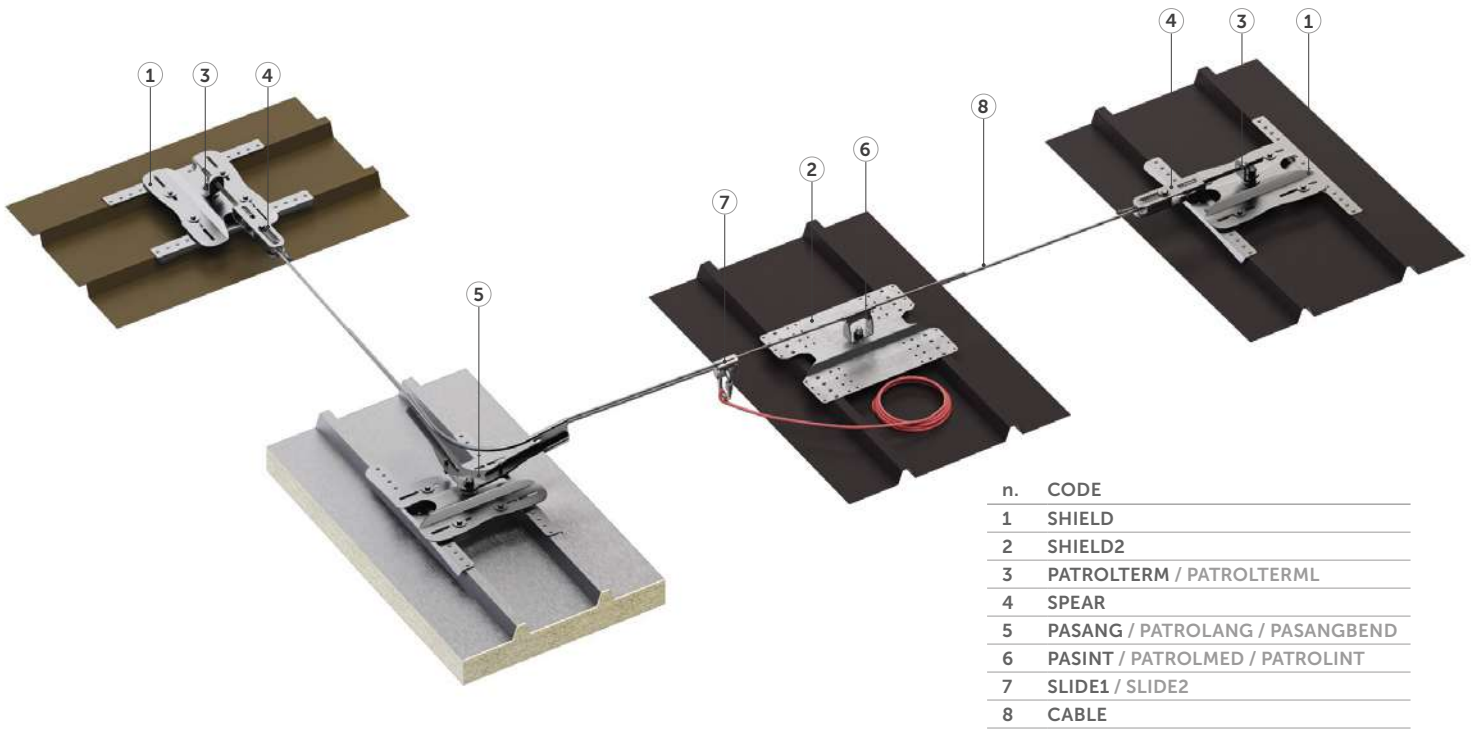
SHIELD for use as a start, end or corner lifeline; SHIELD 2 for use as a straight intermediate point.

VIDEO  MANUALS  

▼ *Installation of a PATROL lifeline with SHIELD supports on a steel sandwich panel roof.*



## PATROL LIFELINE COMPONENTS



## TECHNICAL DATA\*

substructure	minimum thickness	fastening systems included
Fe	0,5 mm	SHIELD: rivet 6,3 x 20,2 mm with EPDM washer (x 32)
Fe	0,5 mm	
Al	1 mm	SHIELD2: rivet 6,3 x 20,2 mm with EPDM washer (x 16)
Al	1 mm	

		with SPEAR	with SPEAREVO
minimum spacing	$x_{min}$ [m]	2	-
maximum spacing	$x_{max}$ [m]	7,5	-
maximum deflection	$y_{max}$ [m]	1,44	-

\* The values indicated are the result of experimental tests carried out under the supervision of third parties in accordance with the standard referred to. For a calculation report with minimum distances according to the relevant standard requirements, the substructure must be checked by a qualified engineer before installation.

## SHIELD | CODES AND DIMENSIONS

A2  
AISI 304

CODE	description	material	B [mm]	H [mm]	L [mm]	pcs
SHIELD	lifeline support	AISI 304 stainless steel grade 1.4301	180-420	85	476	1

## SHIELD 2 | CODES AND DIMENSIONS

CODE	description	material	B [mm]	H [mm]	L [mm]	pcs
SHIELD2	intermediate lifeline support	AISI 304 stainless steel grade 1.4301	420	65	322	1

## COMPLEMENTARY PRODUCTS

CODE	description	pcs
RIV6320	rivets 6,3 x 20,2 mm with EPDM washer	33