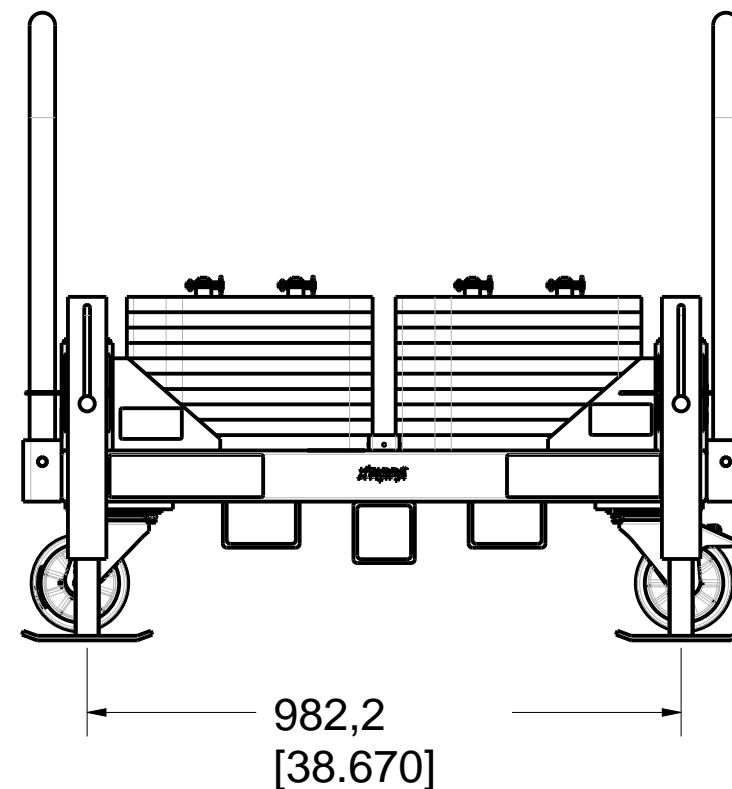
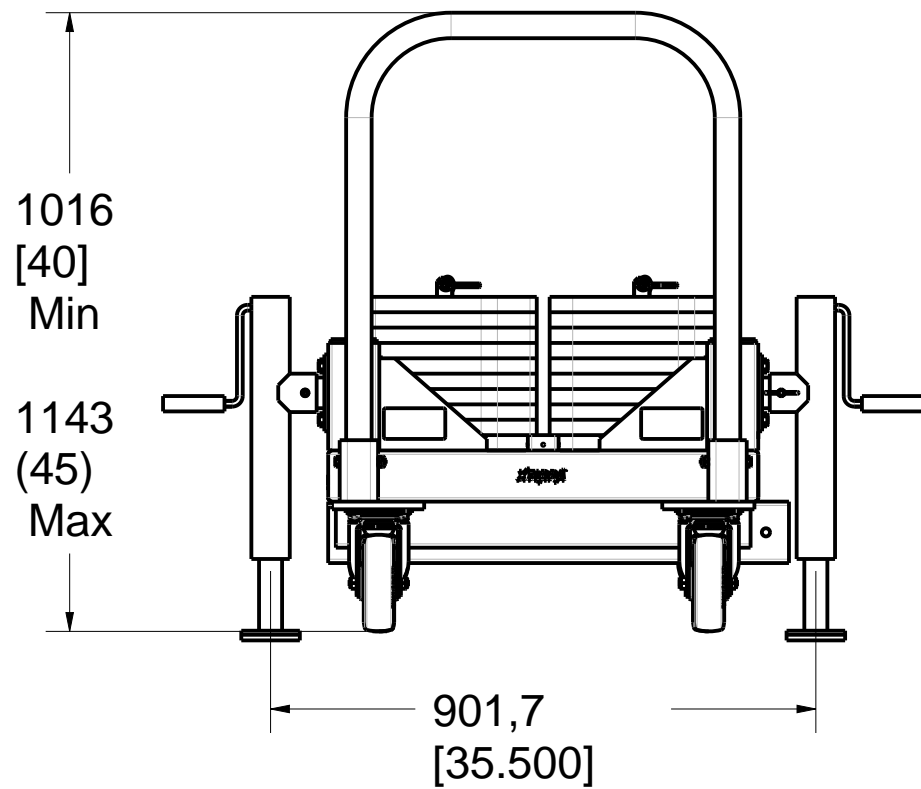
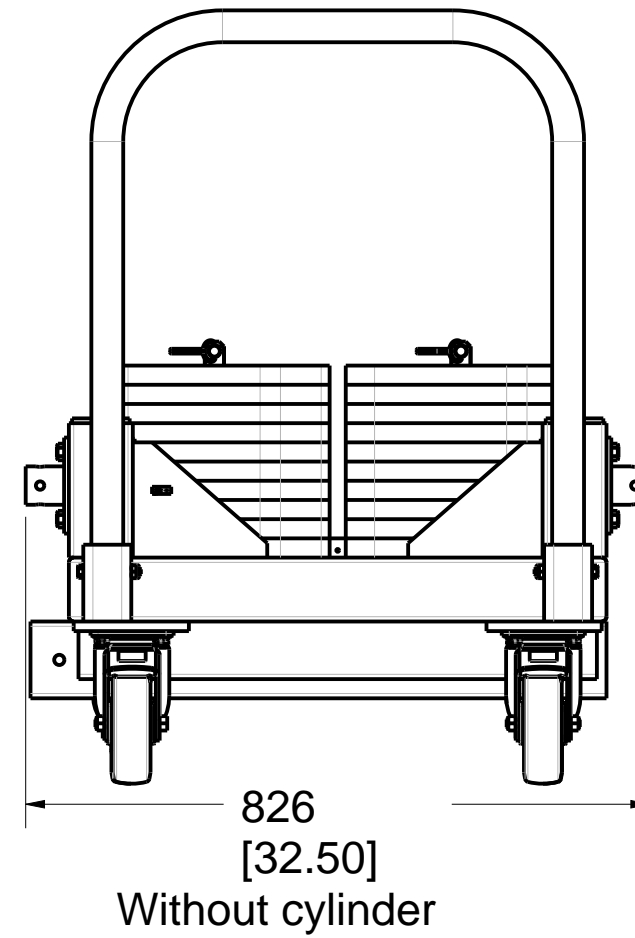
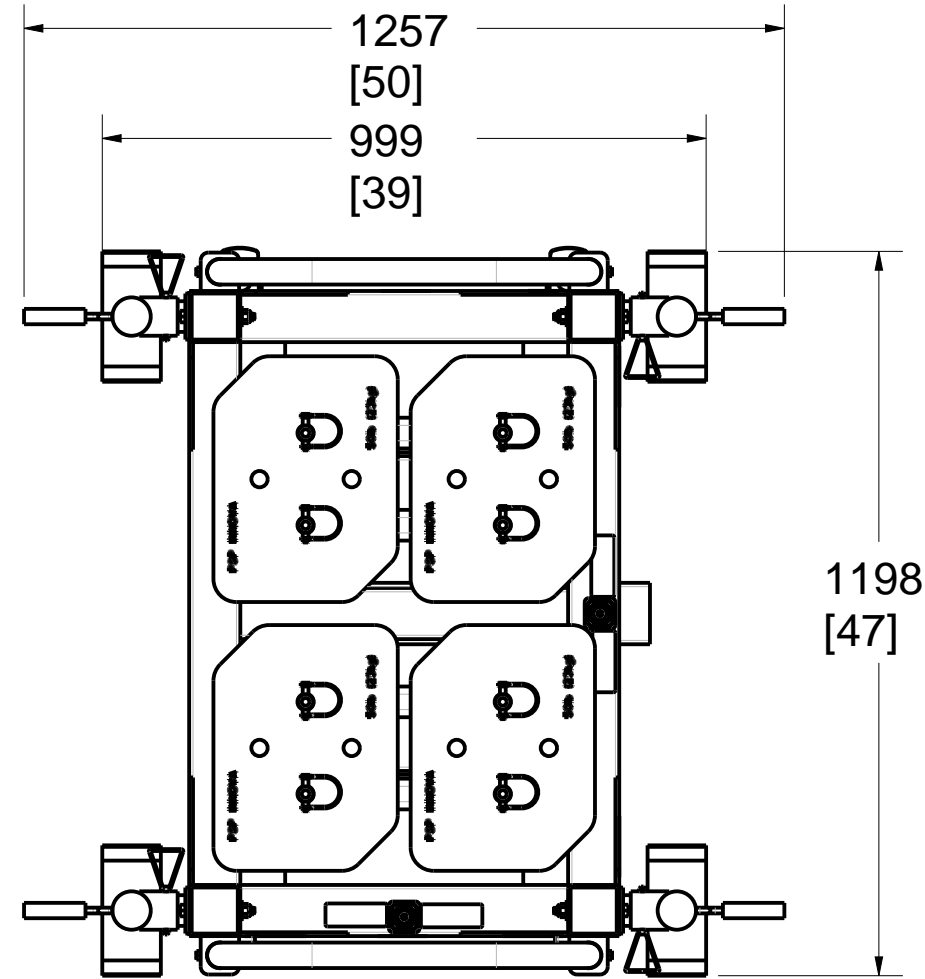


Product number: **A2305-07**



PAT. NO.:		©17/01/2014	©
PRODUITS DE SERVICE PUBLICS INNOVA INC. INNOVA PUBLIC UTILITY PRODUCTS INC.			
<small>© 9105-0732 QUEBEC INC. and under exclusive license to INNOVA PUBLIC UTILITY PRODUCTS INC., (hereafter « INNOVA »). All rights reserved. Protected under the Copyright Act of Canada and international treaties and agreements regarding copyrights. Violators are subject to prosecution and other legal recourses for infringement. Any reproduction, adaptation or other use or disclosure whatsoever, in totality or in part, and in any form or by any means whatsoever, strictly forbidden and requires the prior written approval of INNOVA. All data is the exclusive property of 9105-0732 QUEBEC INC. and under exclusive license to INNOVA and cannot be used nor disclosed in any way either without the prior written approval of INNOVA.</small>			
WEIGHT:	TITLE:		
50 Lb	Counter weight base		
23 Kg	(with weights)		
COLOR:	MATERIAL:	SHEET(S):	PROJECT:
Yellow security	Aluminum	1 / 4	A2305-07

8

7

6

5

4

3

2

1

H
G
F
E
D
C
B
A

Product number: **A2305-07**

Recommendations:
This system is for use on surfaces up to 5 degrees maximum from the horizontal.

IN-2237
30-48" Davit-Arm

IN-2240
Mast

IN-2305
Universal T bar

A2305-07
Trolley with Weight
2000 lbs (907 Kg)

A2305-40
8ft (2438mm)
Extension

2438 Max
[96]

2091
[82] Min

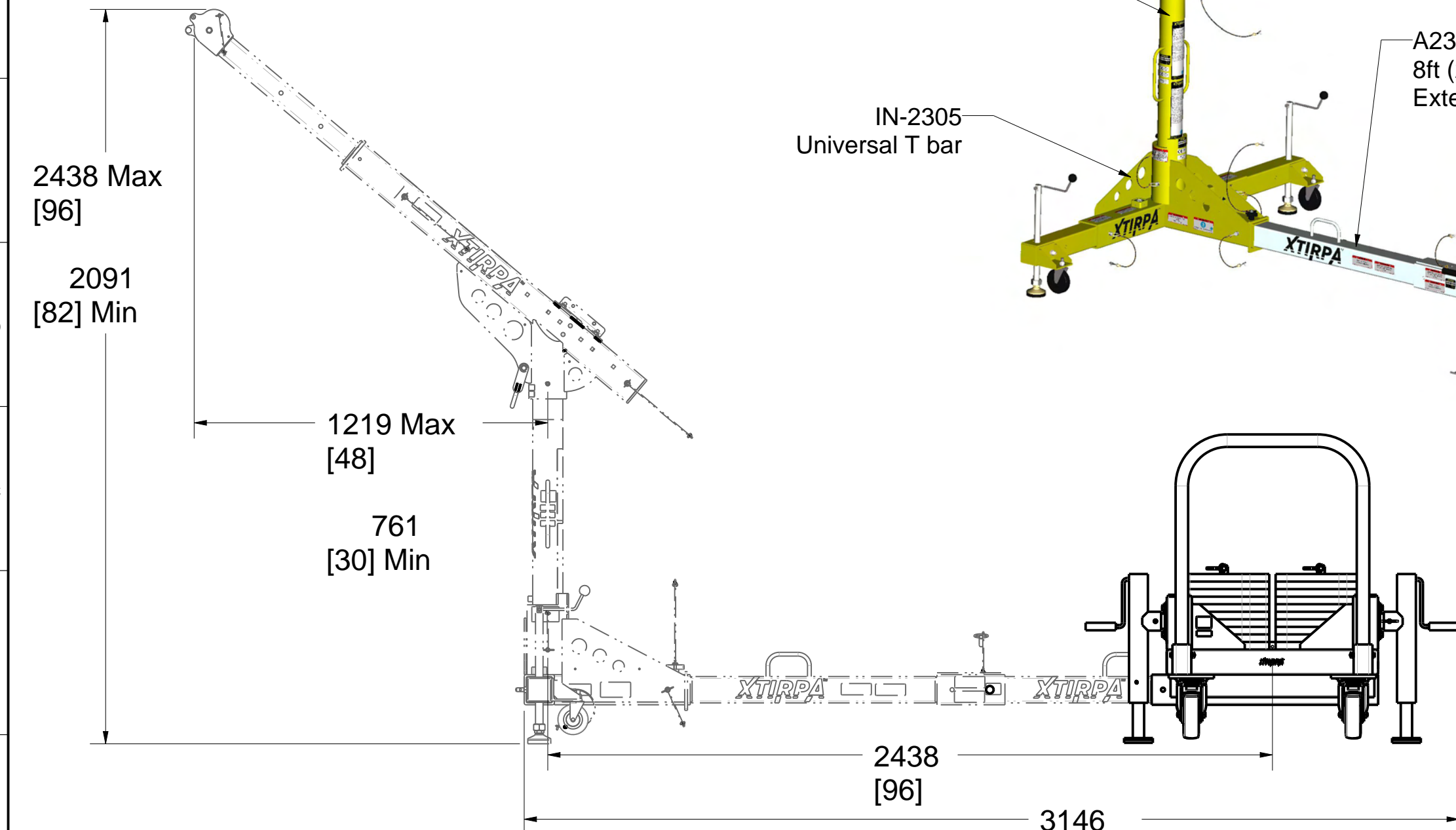
1219 Max
[48]

761
[30] Min

2438
[96]

3146
[124]

PAT. NO.:		©17/01/2014	©
PRODUITS DE SERVICE PUBLICS INNOVA INC. INNOVA PUBLIC UTILITY PRODUCTS INC.			
<small>© 9105-0732 QUEBEC INC. and under exclusive license to INNOVA PUBLIC UTILITY PRODUCTS INC., (hereafter « INNOVA »). All rights reserved. Protected under the Copyright Act of Canada and international treaties and agreements regarding copyrights. Violators are subject to prosecution and other legal recourses for infringement. Any reproduction, adaptation or other use or disclosure whatsoever, in totality or in part, and in any form or by any means whatsoever, strictly forbidden and requires the prior written approval of INNOVA. All data is the exclusive property of 9105-0732 QUEBEC INC. and under exclusive license to INNOVA and cannot be used nor disclosed in any way either without the prior written approval of INNOVA.</small>			
WEIGHT:	TITLE:		
2260 Lb	Counter weight base		
1025 Kg	(with weights)		
COLOR:	MATERIAL:	SHEET(S):	PROJECT:
Yellow security	Aluminum	2 / 4	A2305-07



SPECIFICATIONS

This equipment is considered as part of a personal fall arrest system (PFAS) with a maximum working capacity of 164 Kg (360 lb).

It is only to be used in conjunction with a personal fall arrest system that limits the maximum arrest force (MAF).

STANDARDS

Meets the following standards:

OSHA Personal fall arrest system - 1910.66 App C

ANSI Safety requirements for personal fall arrest system, subsystems and components Z359.1 (R1999) / 2007

CAN/CSA Fall arresters, vertical lifelines, and rails Z259.2.1-98

CE EN 795 (2012) Type E

MATERIAL AND CONSTRUCTION

Structure: Aluminium 6061-T6

Retaining rod for weight: Steel 44W

Retaining pin for weight: Stainless steel

Hardwares: Steel zinc plated

Weights: Steel 44W / black painted mast

Finish: Yellow security powder paint with metal protection base.

Welding Certification: CSA W47.2M

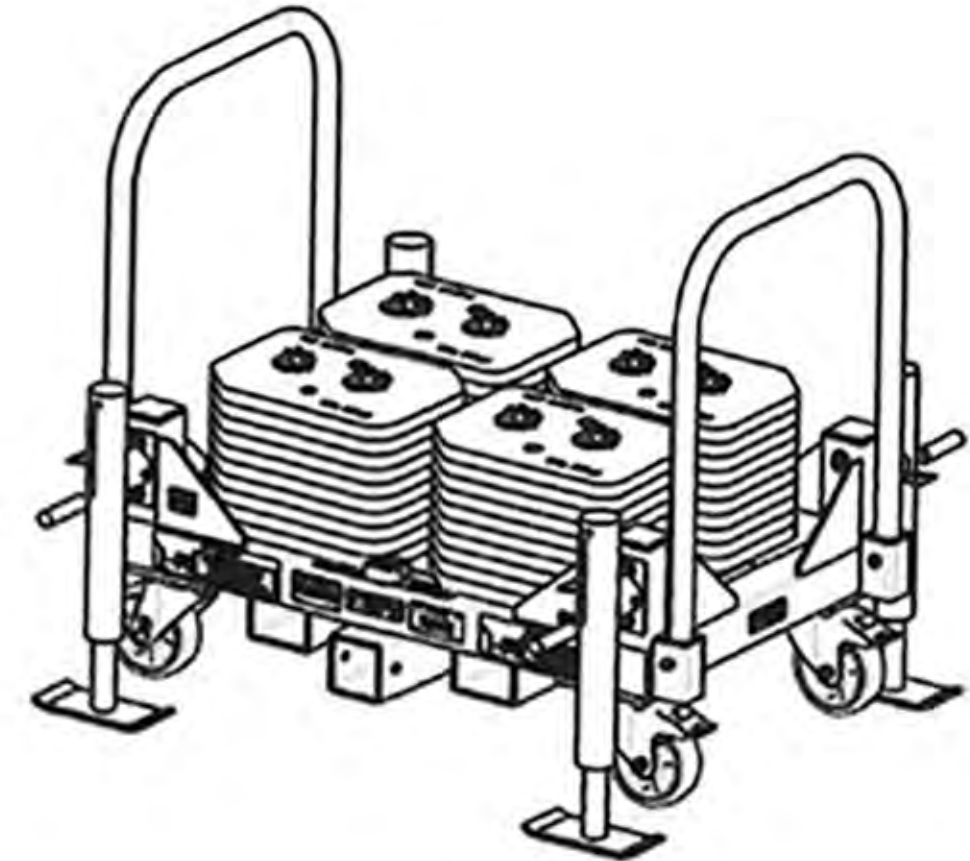
RESTRICTIONS

This product is to be used only with products approved by Innova Public Utility Products inc.

This equipment must always be operated in a level position $\pm 5^\circ$ from the horizontal and supported by it's 4 levelling pads.

It is not permitted to use this system while casters are supporting the weight.

Product number: **A2305-07**



PAT. NO.:		017/0172014	
PRODUITS DE SERVICE PUBLICS INNOVA INC. INNOVA PUBLIC UTILITY PRODUCTS INC.			
<small>© 2014 INNOVA INC. and under exclusive license to INNOVA PUBLIC UTILITY PRODUCTS INC. All rights reserved. Protection under the Copyright Act of Canada and intellectual property and agreements regarding copyrights, patents are subject to protection. All other legal measures for this equipment. Any reproduction, adaptation or other use of this document, in whole or in part, and in any form or by any means electronic, strictly forbidden and requires the prior written approval of INNOVA. All parts to the exclusive property of INNOVA INC. and other measures reserved to INNOVA and cannot be used nor disclosed in any way without the prior written approval of INNOVA.</small>			
WEIGHT:	TITLE:		
2260 lb	Counter weight base		
1025 Kg	(with weights)		
COLOR:	MATERIAL:	SHEETS:	PROJECT:
Yellow security	Aluminium	3 / 4	A2305-07

8

7

6

5

4

3

2

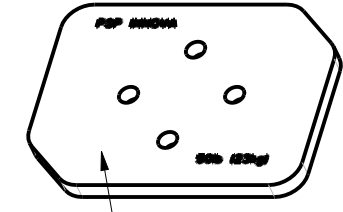
1

Product number: **A2305-07**

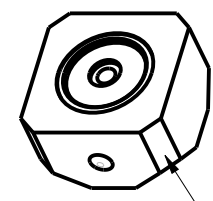
8	2	S2126-007	RevB	Label Warning English
7	2	S2126-006	RevB	Label Attention French
6	2	S2118-004	RevB	Label Attention French
5	2	S2118-003	RevB	Label Warning English
4	1	S2305-007	RevA	Security Label CE class B
3	1	S2305-006	RevA	Label Limit of weight "English"
2	1	S2305-005	RevA	Label Limit of weight "French"
1	4	S2001-003	02	Label XTIRPA 1" x 3-1/2"
IDX	QTE	COMPONENT	REV	DESCRIPTION

H
G
F
E
D
C
B
A

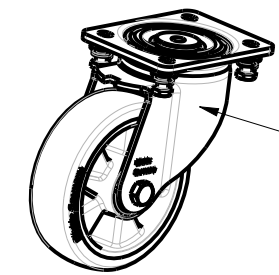
H
G
F
E
D
C
B
A



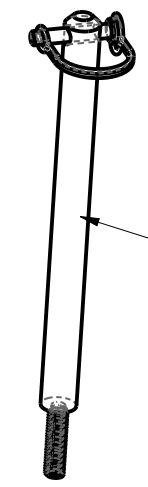
P2305-016N
40x



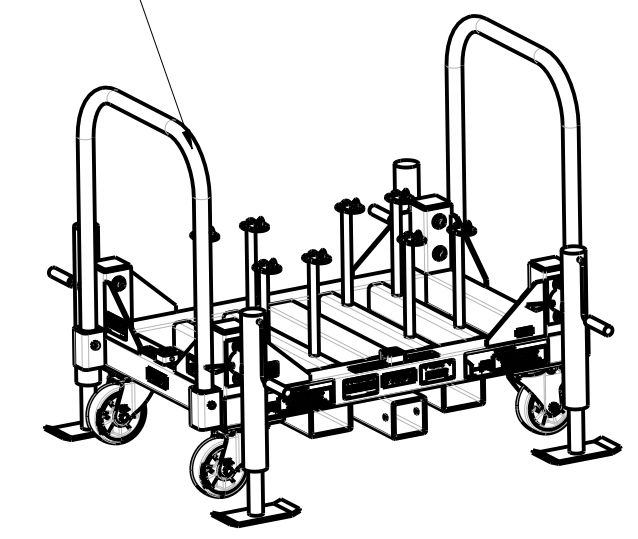
A2118-22
2x



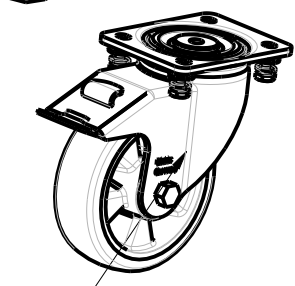
A2305-51
2x



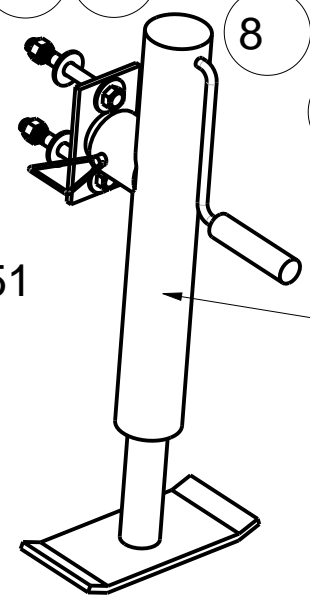
A2305-52
8x



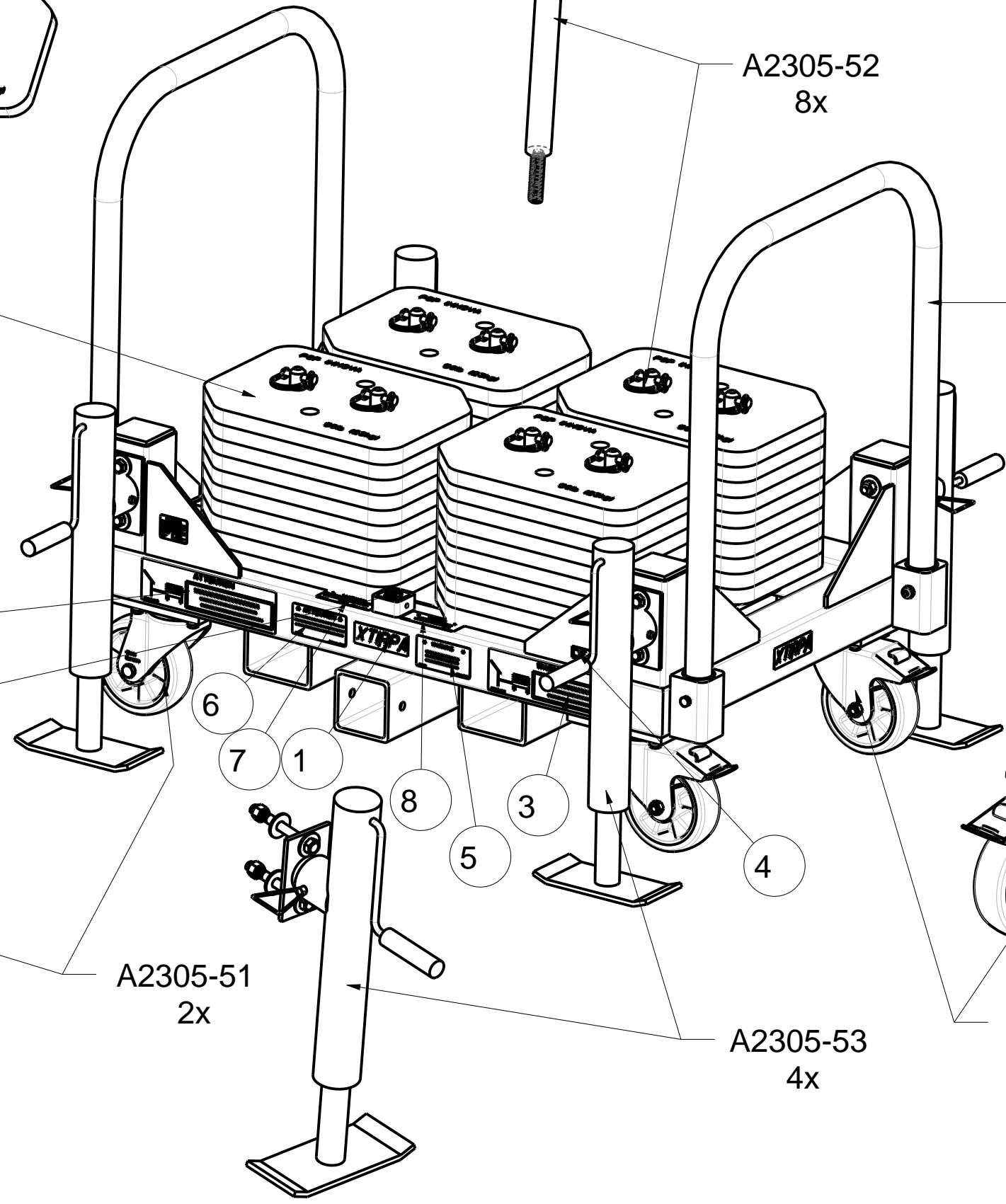
A2305-27
1x



A2305-50
2x



A2305-53
4x



PAT. NO.:		©17/01/2014	©
PRODUITS DE SERVICE PUBLICS INNOVA INC. INNOVA PUBLIC UTILITY PRODUCTS INC.			
<small>© 9105-0732 QUEBEC INC. and under exclusive license to INNOVA PUBLIC UTILITY PRODUCTS INC., (hereafter « INNOVA »). All rights reserved. Protected under the Copyright Act of Canada and international treaties and agreements regarding copyrights. Violators are subject to prosecution and other legal recourses for infringement. Any reproduction, adaptation or other use or disclosure whatsoever, in totality or in part, and in any form or by any means whatsoever, strictly forbidden and requires the prior written approval of INNOVA. All data is the exclusive property of 9105-0732 QUEBEC INC. and under exclusive license to INNOVA and cannot be used nor disclosed in any way either without the prior written approval of INNOVA.</small>			
WEIGHT:	TITLE:		
2260 Lb	Counter weight base		
1025 Kg	(with weights)		
COLOR:	MATERIAL:	SHEET(S):	PROJECT:
Yellow security	Aluminum	4 / 4	A2305-07

8

7

6

5

4

3

2

1