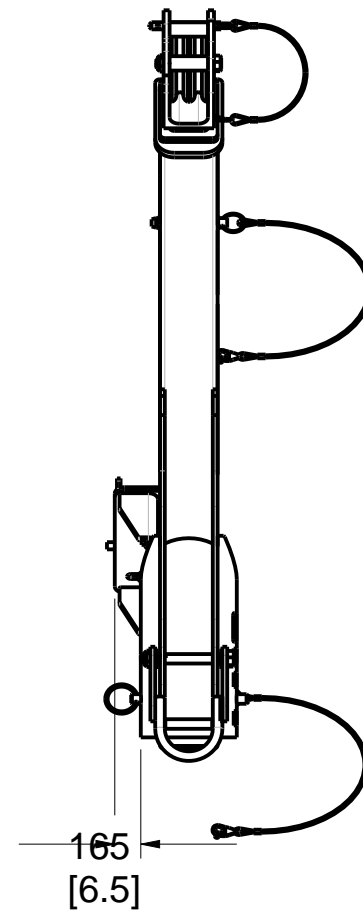
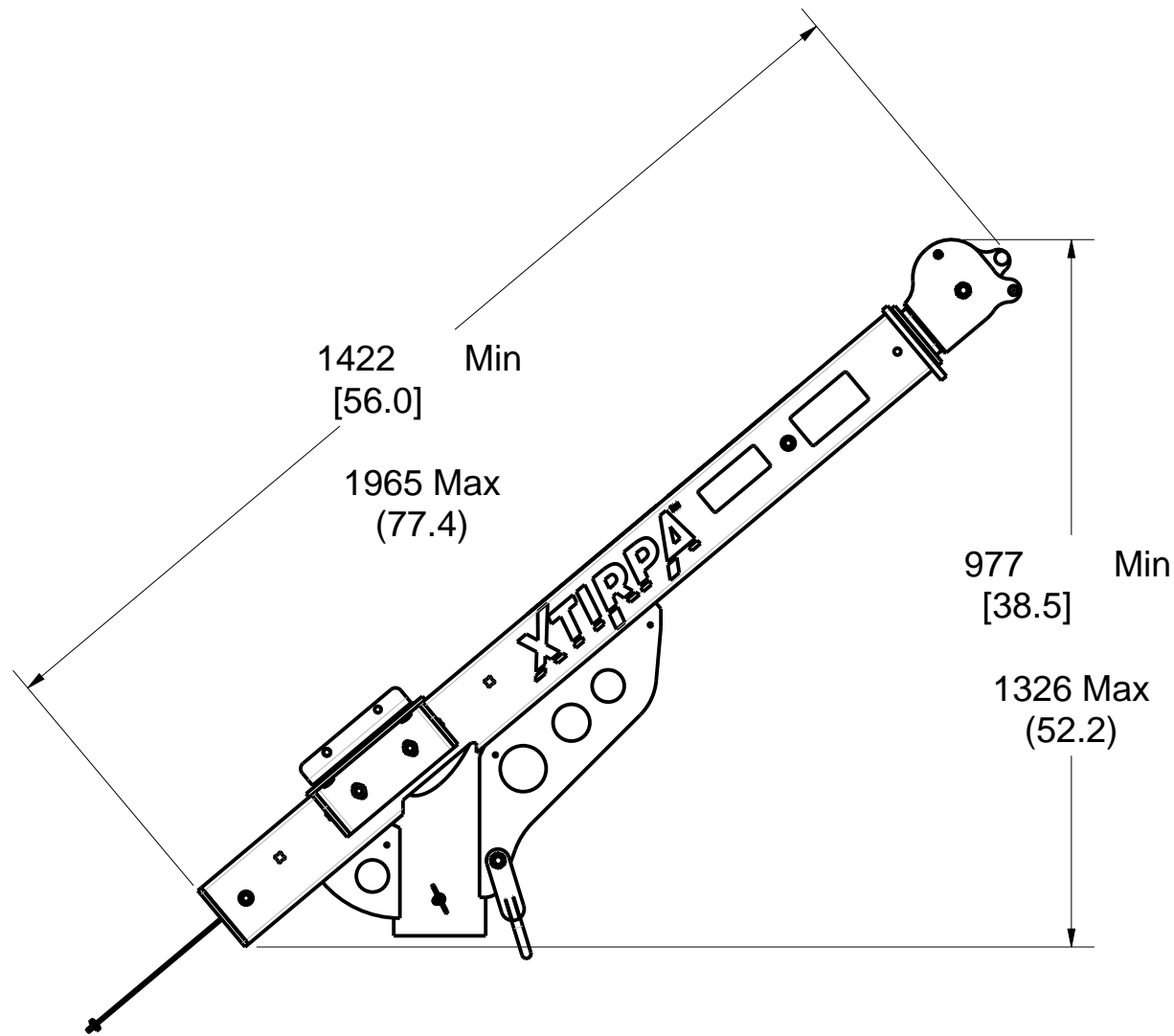
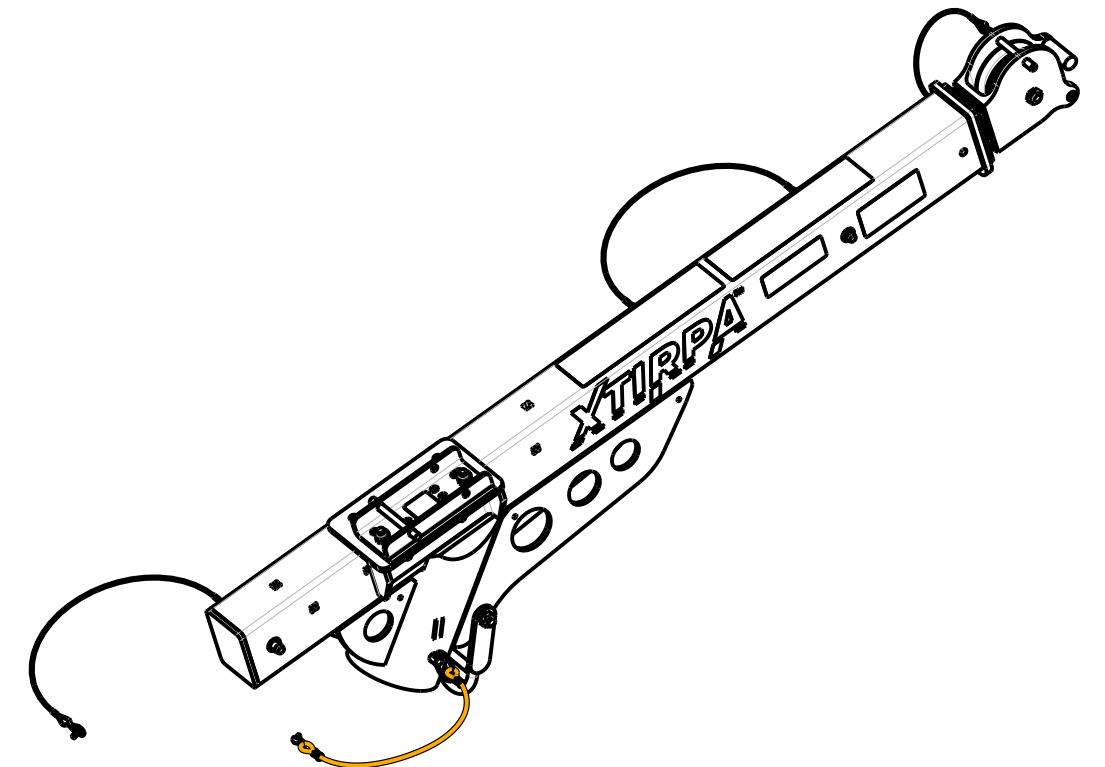
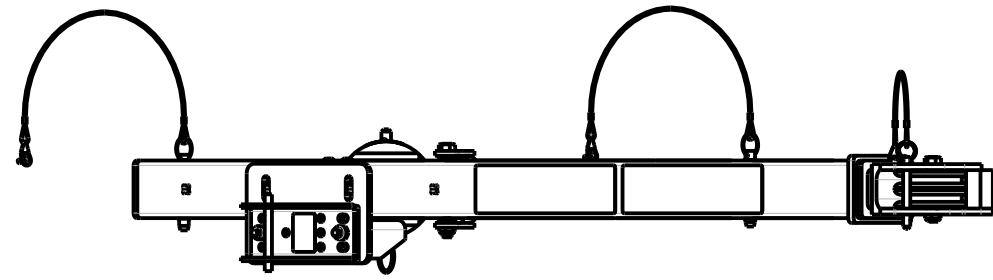
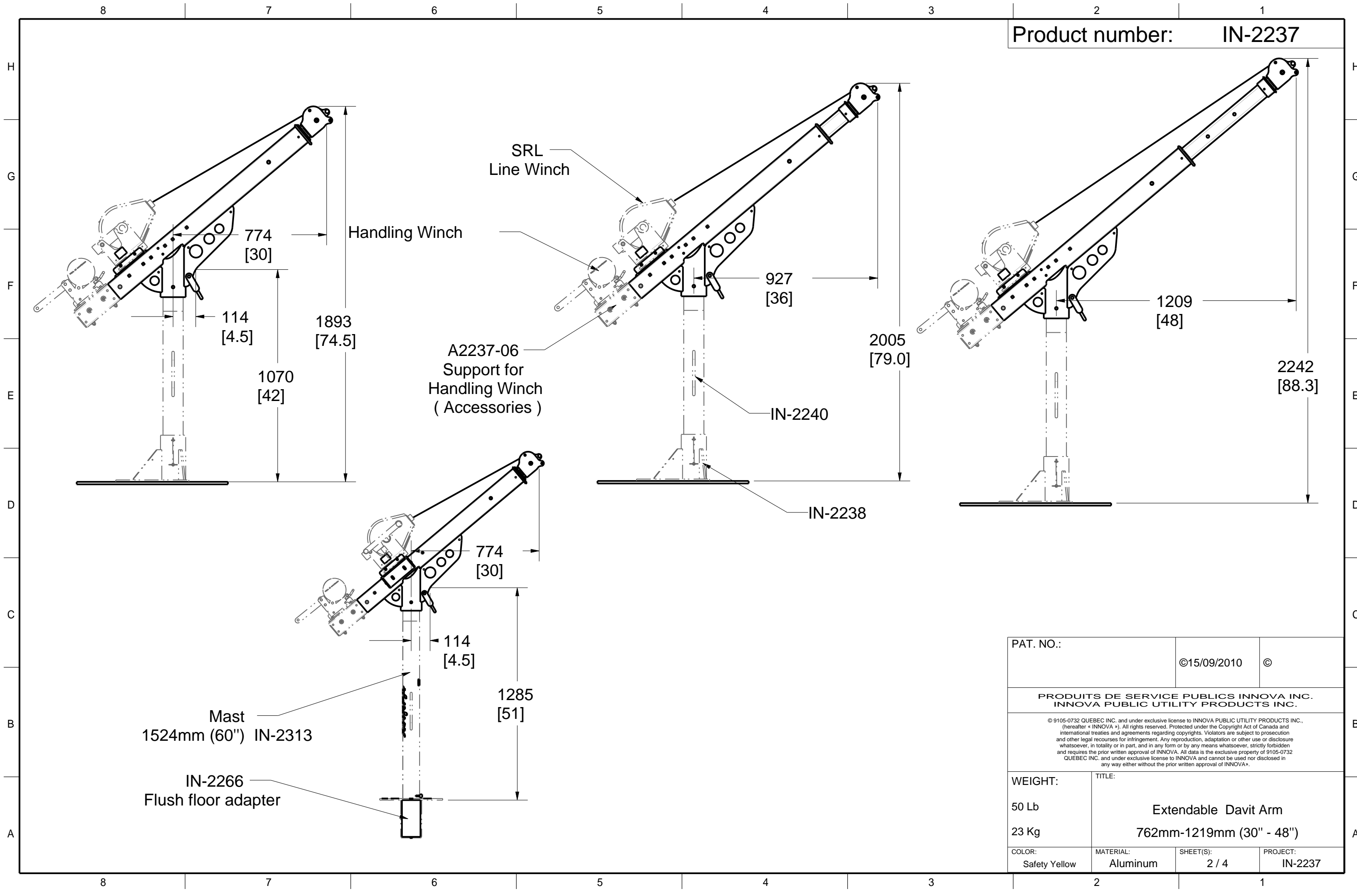


Product number: IN-2237



PAT. NO.:		©15/09/2010	©
<b>PRODUITS DE SERVICE PUBLICS INNOVA INC.</b> <b>INNOVA PUBLIC UTILITY PRODUCTS INC.</b>			
<small>© 9105-0732 QUEBEC INC. and under exclusive license to INNOVA PUBLIC UTILITY PRODUCTS INC. (hereafter « INNOVA »). All rights reserved. Protected under the Copyright Act of Canada and international treaties and agreements regarding copyrights. Violators are subject to prosecution and other legal recourses for infringement. Any reproduction, adaptation or other use or disclosure whatsoever, in totality or in part, and in any form or by any means whatsoever, strictly forbidden and requires the prior written approval of INNOVA. All data is the exclusive property of 9105-0732 QUEBEC INC. and under exclusive license to INNOVA and cannot be used nor disclosed in any way either without the prior written approval of INNOVA.</small>			
WEIGHT:	TITLE:		
50 Lb	Extendable Davit Arm		
23 Kg	762mm-1219mm (30" - 48")		
COLOR:	MATERIAL:	SHEET(S):	PROJECT:
Safety Yellow	Aluminum	1 / 4	IN-2237

Product number: IN-2237



PAT. NO.:		©15/09/2010	©
<b>PRODUITS DE SERVICE PUBLICS INNOVA INC.</b> <b>INNOVA PUBLIC UTILITY PRODUCTS INC.</b>			
© 9105-0732 QUEBEC INC. and under exclusive license to INNOVA PUBLIC UTILITY PRODUCTS INC., (hereafter « INNOVA »). All rights reserved. Protected under the Copyright Act of Canada and international treaties and agreements regarding copyrights. Violators are subject to prosecution and other legal recourses for infringement. Any reproduction, adaptation or other use or disclosure whatsoever, in totality or in part, and in any form or by any means whatsoever, strictly forbidden and requires the prior written approval of INNOVA. All data is the exclusive property of 9105-0732 QUEBEC INC. and under exclusive license to INNOVA and cannot be used nor disclosed in any way either without the prior written approval of INNOVA.			
WEIGHT:	TITLE:		
50 Lb	Extendable Davit Arm		
23 Kg	762mm-1219mm (30" - 48")		
COLOR:	MATERIAL:	SHEET(S):	PROJECT:
Safety Yellow	Aluminum	2 / 4	IN-2237

**SPECIFICATIONS**

This equipment is considered as part of a personal fall arrest system (PFAS) with a maximum working capacity of 164 Kg (360 lb).

It is only to be used in conjunction with a personal fall arrest system that limits the maximum arrest force (MAF).

Working load (mass) :  
 With Lifeline Winch or material handling Winch  
 With mast IN-2240 or IN-2313 : 164 kg (360 lb)

Max Design Capacity with lifeline winch or material handling Winch  
 With mast IN-2240 or IN-2313: 16,014 N (3,600 lbf)  
 Max Capacity of anchor point: 22,241 N (5,000 lbf)

**STANDARDS**

Meets the following standards:  
 OSHA Personal fall arrest system: 1910.66 App C  
 ANSI Safety requirements for personal fall arrest system, Subsystems and components Z359.1 - 2007  
 CAN/CSA Fall arresters, vertical lifelines, and rails Z259.2.1-98  
 CE EN 795: 2012 type A, B and E

**MATERIAL AND CONSTRUCTION**

Extension and guide tubes: Aluminum 6061-T6  
 Anchorage hooks: 304 Stainless Steel  
 Hardware: Zinc plated steel, Stainless Steel.  
 Guide tube sliders: UHMW  
 Pulley: Black Acetal  
 Finish: Yellow security powder point with metal protection base.  
 Welding Certification: CSA W47.2M and CSA W47.1

**RESTRICTIONS**

This product is to be used only with products approved by Innova public utility products INC.

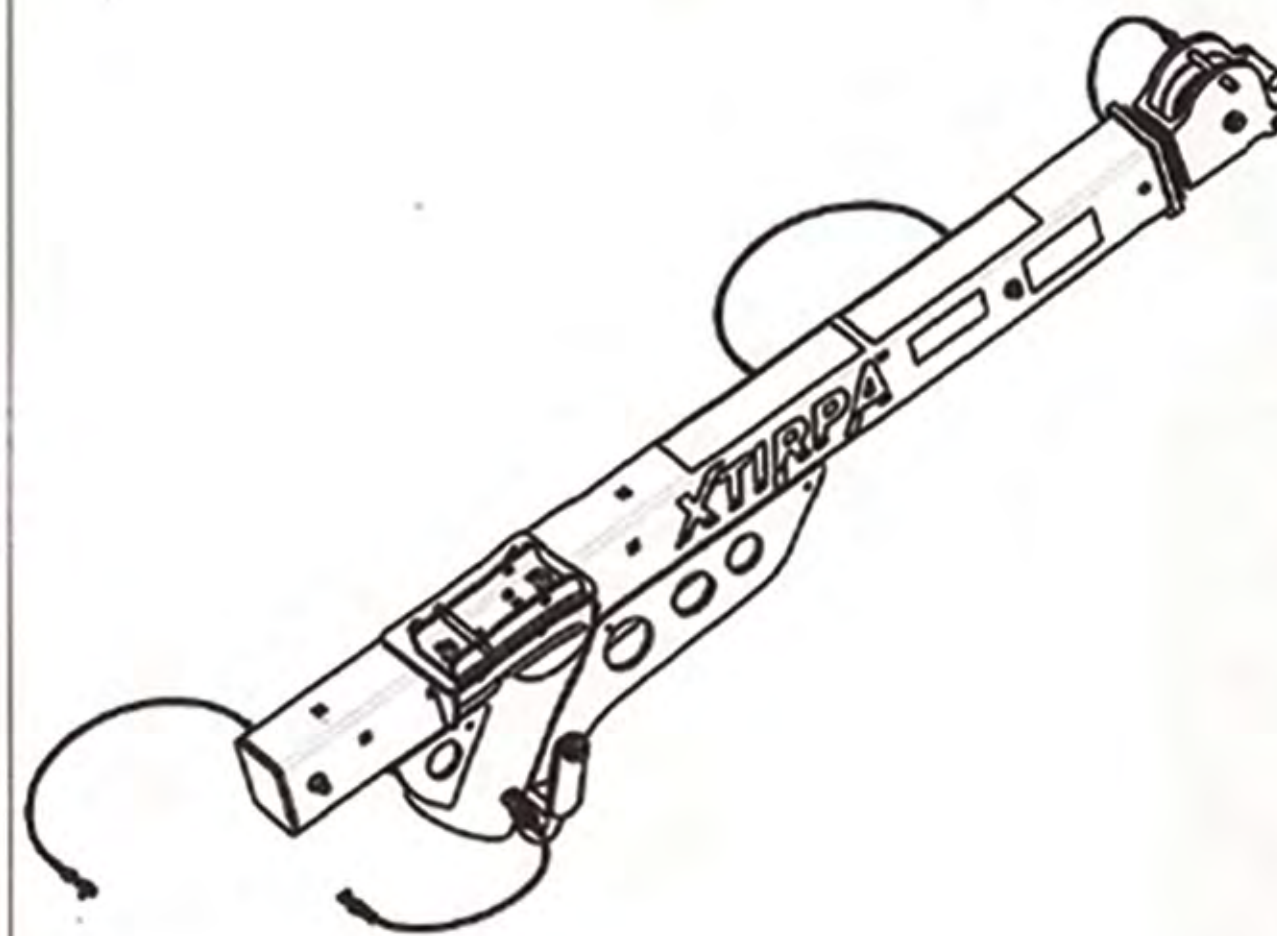
**IMPORTANT :**

••The positioning pins must always be in place when manouvering personnel  
 Otherwise, serious injuries may occur.

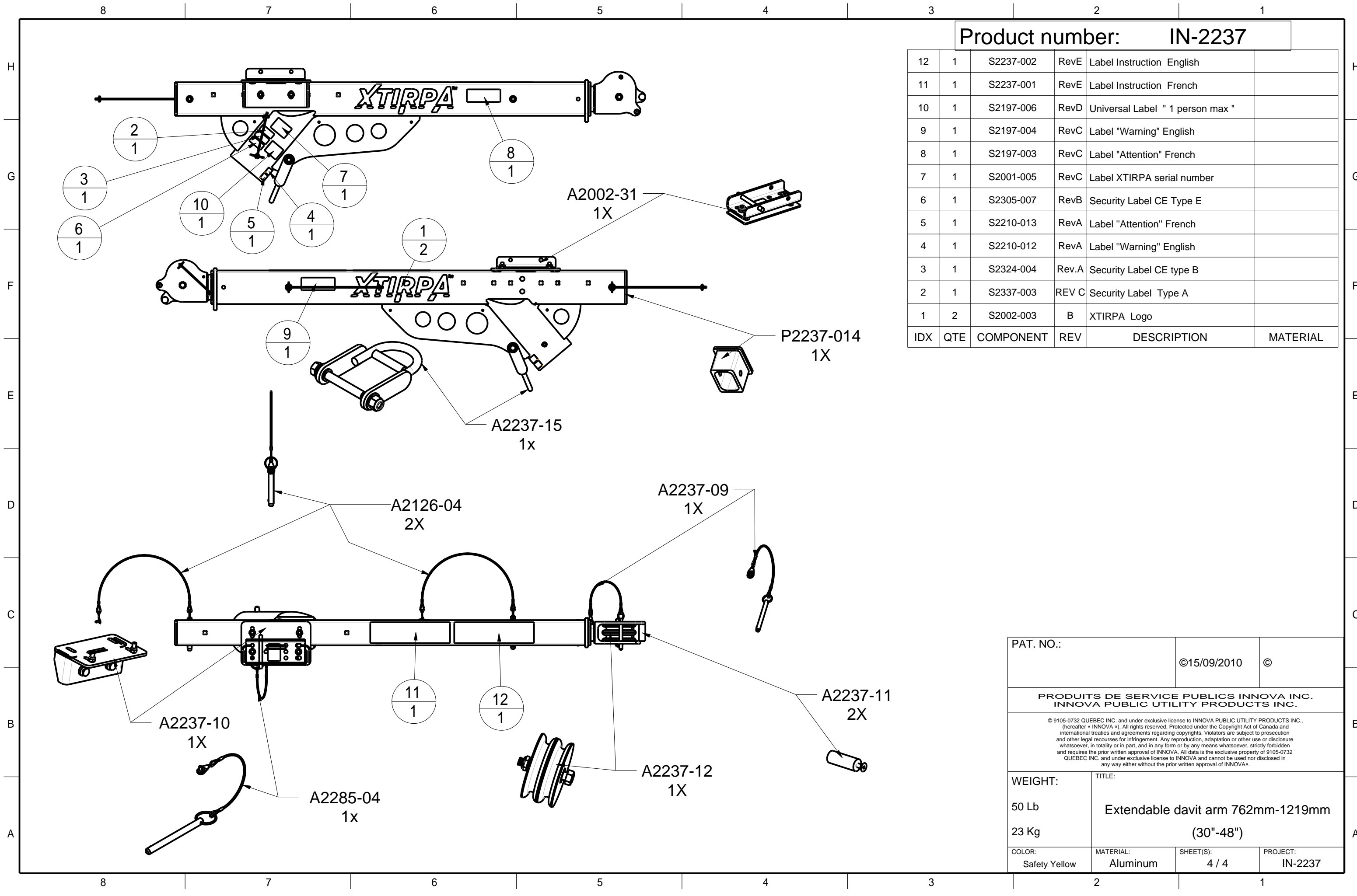
Periodic inspections of hardware must be done.  
 In the occurrence of a fall or the safety of the equipment is in doubt, equipment must be immediately removed from service and inspected by qualified personnel before reuse.

•• This equipment must always be operated in a level position.

Product number: IN-2237



PAT. NO. :		015/09/2010 ©	
PRODUITS DE SERVICE PUBLICS INNOVA INC. INNOVA PUBLIC UTILITY PRODUCTS INC.			
<small>© 2009 INNOVA PUBLIC INC. and under exclusive license to INNOVA PUBLIC UTILITY PRODUCTS INC. (hereafter "INNOVA") all rights reserved. Protected under the Copyright Act of Canada and International treaties and agreements regarding copyright. No part of this publication and other legal notices may be reproduced, stored in a retrieval system, or transmitted, in any form or by any means, electronic, mechanical, photocopying, recording, or otherwise, without the prior written approval of INNOVA. All data is the exclusive property of INNOVA and remains the property of INNOVA and cannot be used or disclosed in any way other than the prior written approval of INNOVA.</small>			
WEIGHT:	TITLE:		
50 lb	Extendable davit arm 762mm-1219mm		
23 Kg	(30"-48")		
COLOR:	MATERIAL:	QUANTITY:	PROJECT:
Safety Yellow	Aluminum	3 / 4	IN-2237



Product number: **IN-2237**

IDX	QTE	COMPONENT	REV	DESCRIPTION	MATERIAL
12	1	S2237-002	RevE	Label Instruction English	
11	1	S2237-001	RevE	Label Instruction French	
10	1	S2197-006	RevD	Universal Label " 1 person max "	
9	1	S2197-004	RevC	Label "Warning" English	
8	1	S2197-003	RevC	Label "Attention" French	
7	1	S2001-005	RevC	Label XTIRPA serial number	
6	1	S2305-007	RevB	Security Label CE Type E	
5	1	S2210-013	RevA	Label "Attention" French	
4	1	S2210-012	RevA	Label "Warning" English	
3	1	S2324-004	Rev.A	Security Label CE type B	
2	1	S2337-003	REV C	Security Label Type A	
1	2	S2002-003	B	XTIRPA Logo	

PAT. NO.:		©15/09/2010	©
<b>PRODUITS DE SERVICE PUBLICS INNOVA INC.</b> <b>INNOVA PUBLIC UTILITY PRODUCTS INC.</b>			
<small>© 9105-0732 QUEBEC INC. and under exclusive license to INNOVA PUBLIC UTILITY PRODUCTS INC. (hereafter « INNOVA »). All rights reserved. Protected under the Copyright Act of Canada and international treaties and agreements regarding copyrights. Violators are subject to prosecution and other legal recourses for infringement. Any reproduction, adaptation or other use or disclosure whatsoever, in totality or in part, and in any form or by any means whatsoever, strictly forbidden and requires the prior written approval of INNOVA. All data is the exclusive property of 9105-0732 QUEBEC INC. and under exclusive license to INNOVA and cannot be used nor disclosed in any way either without the prior written approval of INNOVA.</small>			
WEIGHT:	TITLE:		
50 Lb	Extendable davit arm 762mm-1219mm		
23 Kg	(30"-48")		
COLOR:	MATERIAL:	SHEET(S):	PROJECT:
Safety Yellow	Aluminum	4 / 4	IN-2237