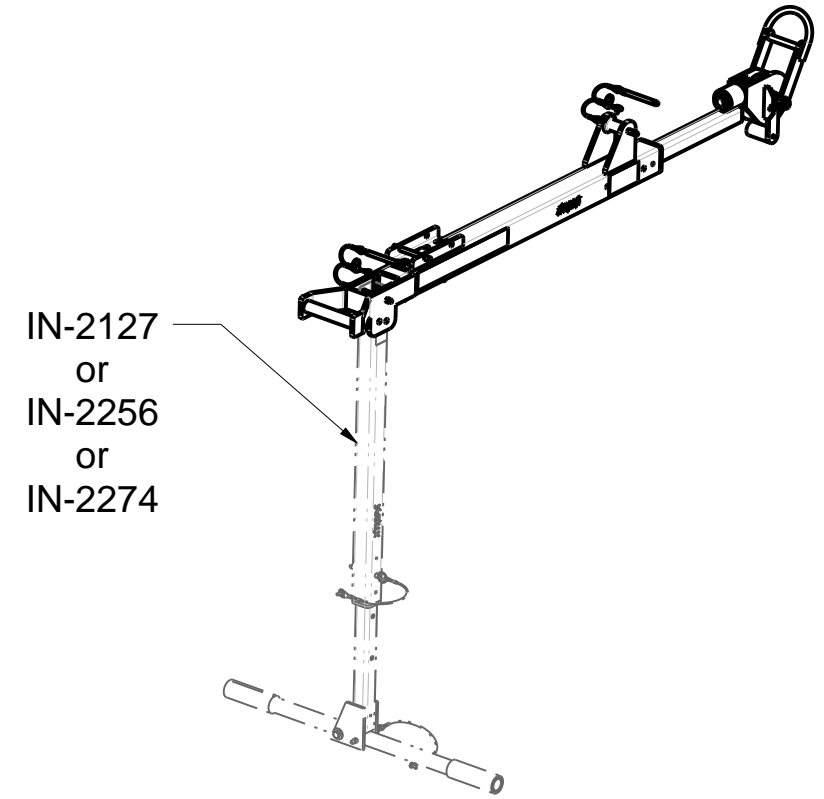
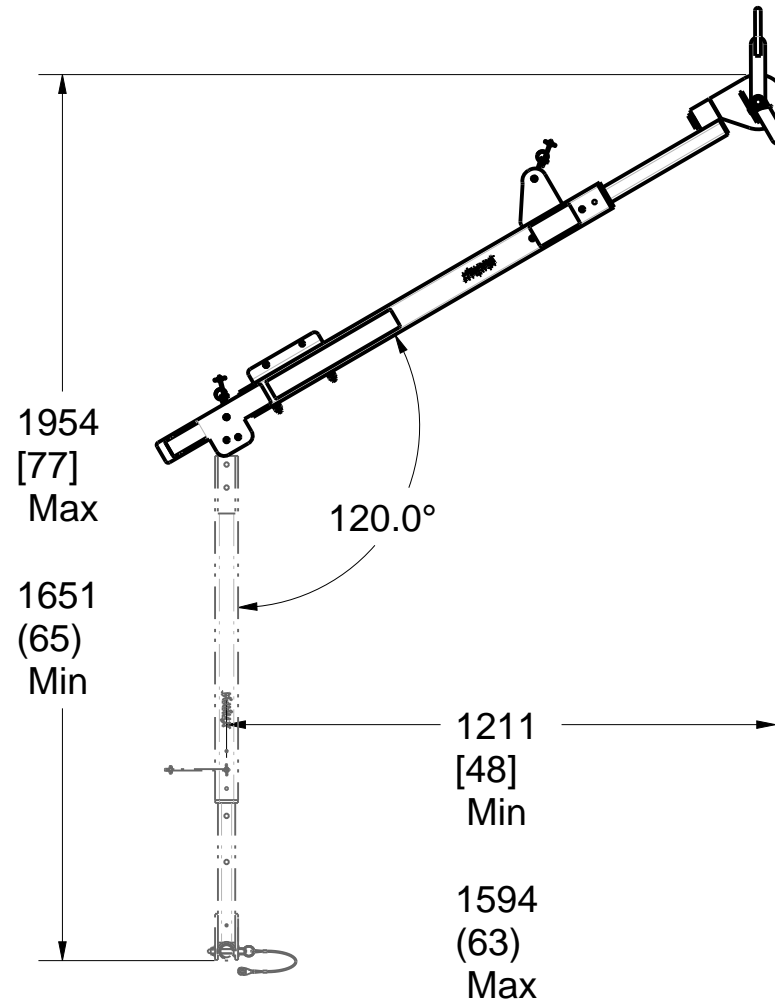
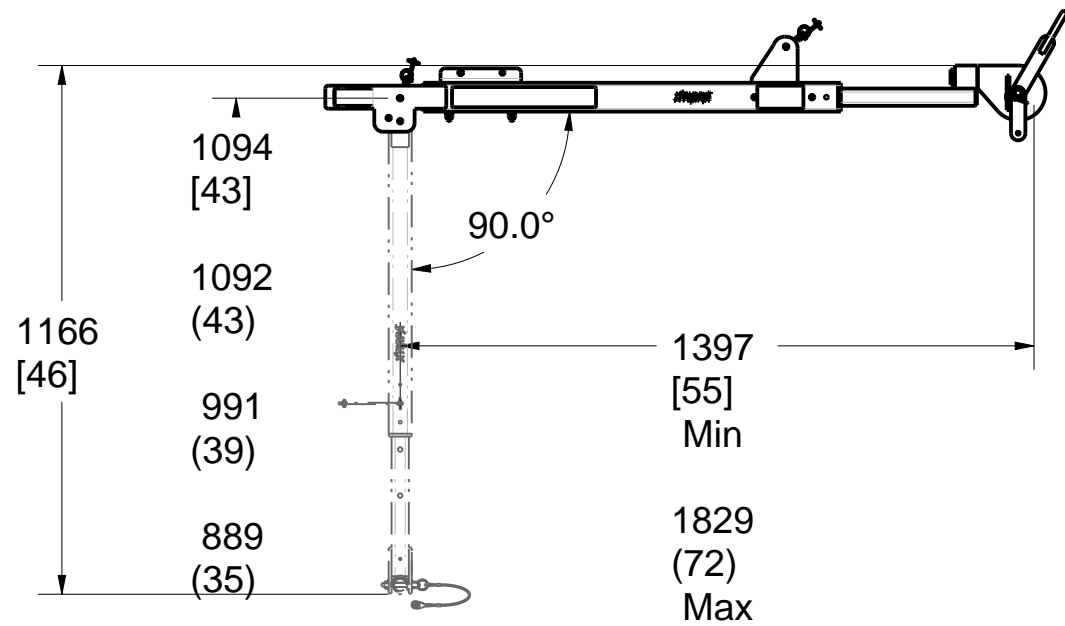
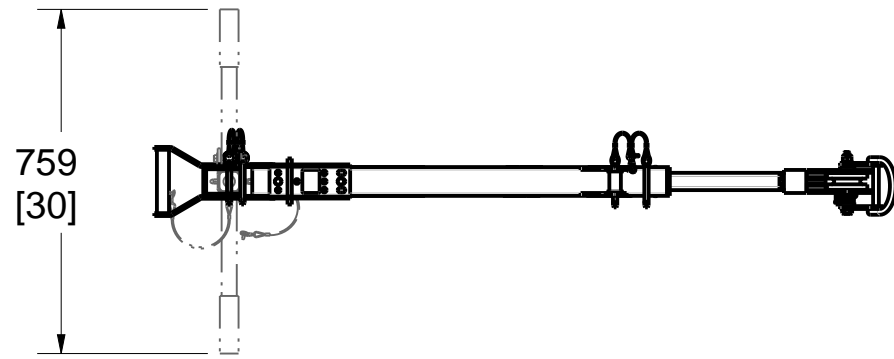


Additional Extension Positions
1467(58)-1587(62)-1714(67)-1835(72)

PAT. NO.:		©22/03/2013 ©	
PRODUITS DE SERVICE PUBLICS INNOVA INC. INNOVA PUBLIC UTILITY PRODUCTS INC.			
© 9105-0732 QUEBEC INC. and under exclusive license to INNOVA PUBLIC UTILITY PRODUCTS INC., (hereafter « INNOVA »). All rights reserved. Protected under the Copyright Act of Canada and international treaties and agreements regarding copyrights. Violators are subject to prosecution and other legal recourses for infringement. Any reproduction, adaptation or other use or disclosure whatsoever, in totality or in part, and in any form or by any means whatsoever, strictly forbidden and requires the prior written approval of INNOVA. All data is the exclusive property of 9105-0732 QUEBEC INC. and under exclusive license to INNOVA and cannot be used nor disclosed in any way either without the prior written approval of INNOVA.			
WEIGHT:	TITLE:		
21 Lb	Pole hoist		
10 Kg	1219-1829mm (48-72")		
COLOR:	MATERIAL:	SHEET(S):	PROJECT:
Safety Yellow	Aluminum	1 / 4	IN-2337



PAT. NO.:		©22/03/2013 ©	
PRODUITS DE SERVICE PUBLICS INNOVA INC. INNOVA PUBLIC UTILITY PRODUCTS INC.			
© 9105-0732 QUEBEC INC. and under exclusive license to INNOVA PUBLIC UTILITY PRODUCTS INC., (hereafter « INNOVA »). All rights reserved. Protected under the Copyright Act of Canada and international treaties and agreements regarding copyrights. Violators are subject to prosecution and other legal recourses for infringement. Any reproduction, adaptation or other use or disclosure whatsoever, in totality or in part, and in any form or by any means whatsoever, strictly forbidden and requires the prior written approval of INNOVA. All data is the exclusive property of 9105-0732 QUEBEC INC. and under exclusive license to INNOVA and cannot be used nor disclosed in any way either without the prior written approval of INNOVA.			
WEIGHT:	TITLE:		
21 Lb	Pole hoist		
10 Kg	1219-1829mm (48-72")		
COLOR:	MATERIAL:	SHEET(S):	PROJECT:
Safety Yellow	Aluminum	2 / 4	IN-2337

SPECIFICATIONS

This equipment is considered as part of a personal fall arrest system (PFAS) with a maximum working capacity of 164 Kg (360 lb).

It is only to be used in conjunction with a personal fall arrest system that limits the maximum arrest force (MAF).

Maximum Working Capacity (Mass): 164 kg (360 lb).

Maximum design capacity : 16,014 N (3,600 lbf).

STANDARDS

Meets the following standards:

OSHA Personal fall arrest system: 1910.66 App C

ANSI Safety requirements for personal fall arrest system.

Subsystems and components Z359.1 - 2007

CAN/CSA Fall arresters, vertical lifelines, and rails Z259.2.1-98

CE EN 795:2012 Type A

MATERIAL AND CONSTRUCTION

Extension and guide tubes : Aluminum 6061-T6

Suspension hook : 304 Stainless Steel

Hardware : Zinc plated steel

Guide tube sliders, pulley and roller : Black Acetal

Finish : Yellow security powder paint with metal protection base.

Welding certification: CSA W47,2M

RESTRICTIONS

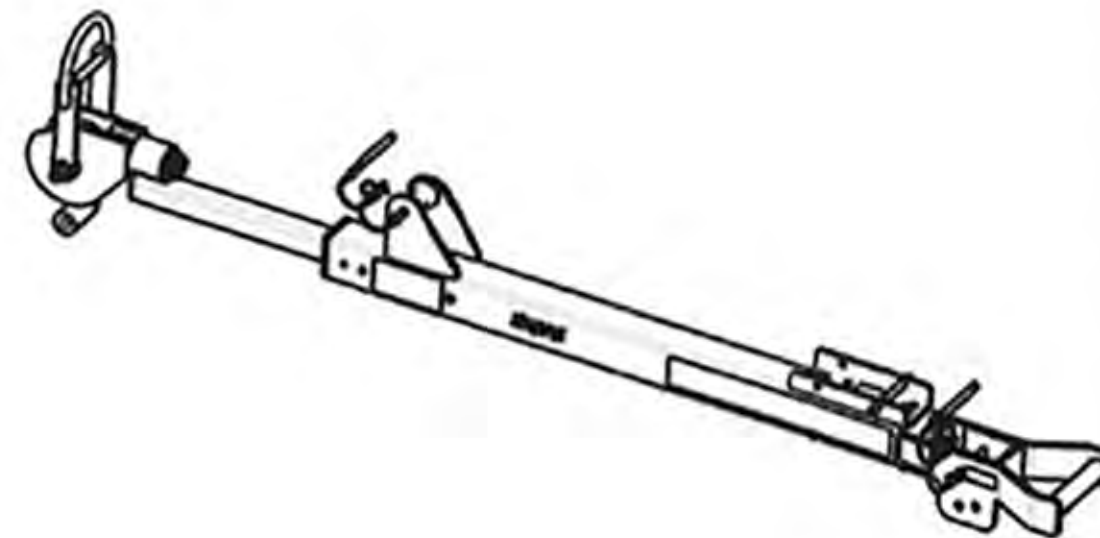
This product is to be used only with products approved by Innova Public Utility Products Inc., such as:
IN-2127 / IN-2256 / IN-2274 Adjustable T-Bar.

IMPORTANT :

**The positioning pins must always be in place when manoeuvring personnel. Otherwise, serious injuries may occur. Periodic inspections of hardware must be done. In the occurrence of a fall or the safety of the equipment is in doubt, equipment must be immediately removed from service and inspected by qualified personnel before reuse.

** This equipment must always be operated in a level position.

Product number: **IN-2337**



PAT. NO. :	022/03/2013 ©
------------	---------------

PRODUITS DE SERVICE PUBLICS INNOVA INC.
INNOVA PUBLIC UTILITY PRODUCTS INC.

© 2002-2013 INNOVA INC. and under exclusive license to INNOVA PUBLIC UTILITY PRODUCTS INC. Chartered in 1988 in Q.C. All rights reserved. Protected under the Copyright Act of Canada and International treaties and agreements regarding copyrights. No liability on subject to prosecution and other legal measures for infringement. Any reproduction, adaptation or other use of drawings whatsoever, in whole or in part, and in any form or by any means whatsoever, strictly forbidden and requires the prior written approval of INNOVA. All data is the exclusive property of INNOVA INC. and under exclusive license to INNOVA and cannot be used nor released in any way without the prior written approval of INNOVA.

WEIGHT:	TITLE:		
21 Lb	Pole hoist		
10 Kg	1219-1829mm (48-72")		
COLOR:	MATERIAL:	SHEET:	PROJECT:
Safety Yellow	Aluminum	3 / 4	IN-2337

8

7

6

5

4

3

2

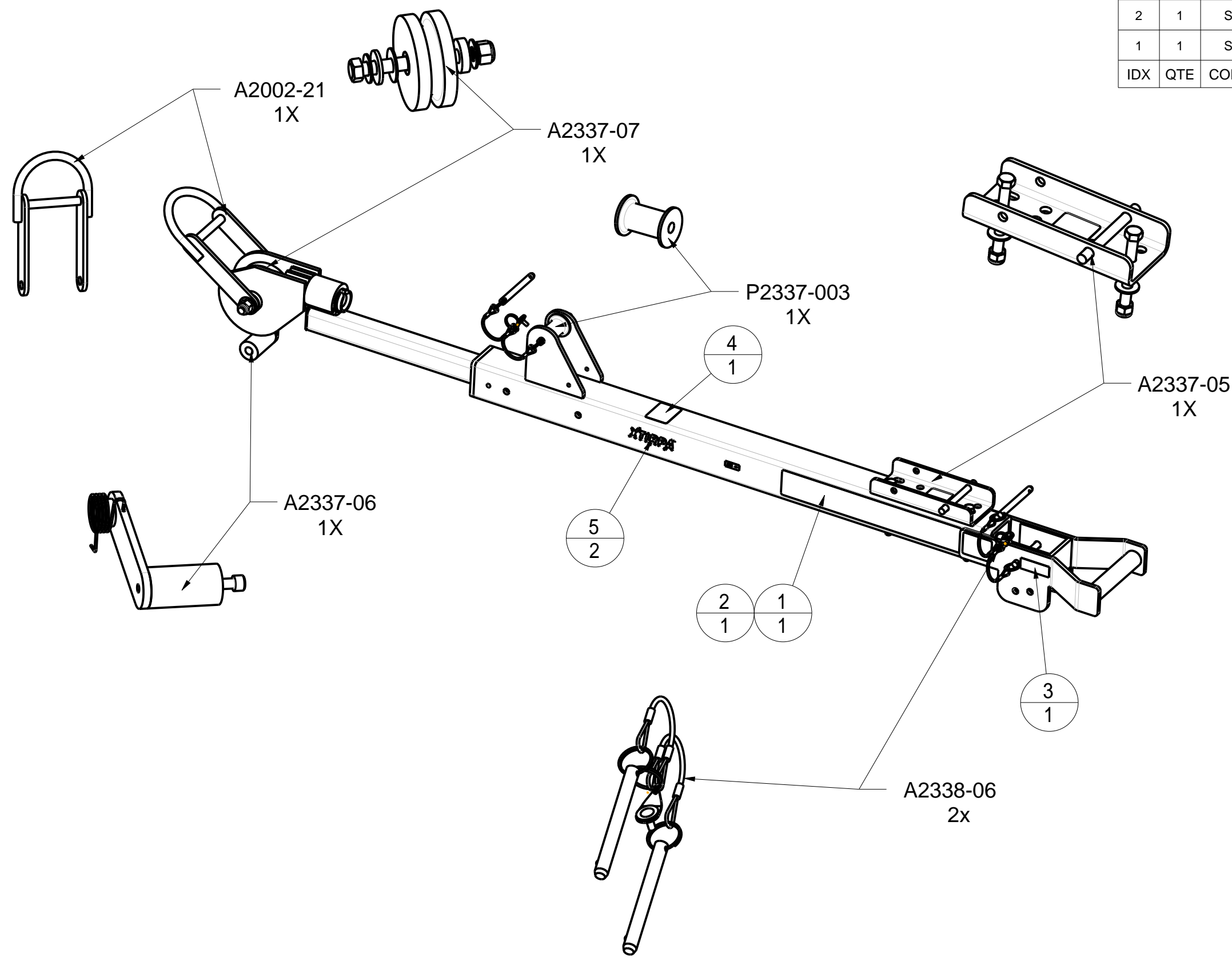
1

Product number: IN-2337

5	2	S2001-003	D	XTIRPA Label	
4	1	S2197-006	RevD	Universal Label " 1 person max "	
3	1	S2337-003	REV C	Security Label Type A	
2	1	S2337-001	REV E	Label Instruction French	
1	1	S2337-002	REV E	Label Instruction English	
IDX	QTE	COMPONENT	REV	DESCRIPTION	MATERIAL

H
G
F
E
D
C
B
A

H
G
F
E
D
C
B
A



PAT. NO.:		©22/03/2013	©
PRODUITS DE SERVICE PUBLICS INNOVA INC. INNOVA PUBLIC UTILITY PRODUCTS INC.			
<small>© 9105-0732 QUEBEC INC. and under exclusive license to INNOVA PUBLIC UTILITY PRODUCTS INC., (hereafter « INNOVA »). All rights reserved. Protected under the Copyright Act of Canada and international treaties and agreements regarding copyrights. Violators are subject to prosecution and other legal recourses for infringement. Any reproduction, adaptation or other use or disclosure whatsoever, in totality or in part, and in any form or by any means whatsoever, strictly forbidden and requires the prior written approval of INNOVA. All data is the exclusive property of 9105-0732 QUEBEC INC. and under exclusive license to INNOVA and cannot be used nor disclosed in any way either without the prior written approval of INNOVA.</small>			
WEIGHT:	TITLE:		
21 Lb	IN-2337		
10 Kg			
COLOR:	MATERIAL:	SHEET(S):	PROJECT:
Safety Yellow	Aluminum	4 / 4	IN-2337

8

7

6

5

4

3

2

1