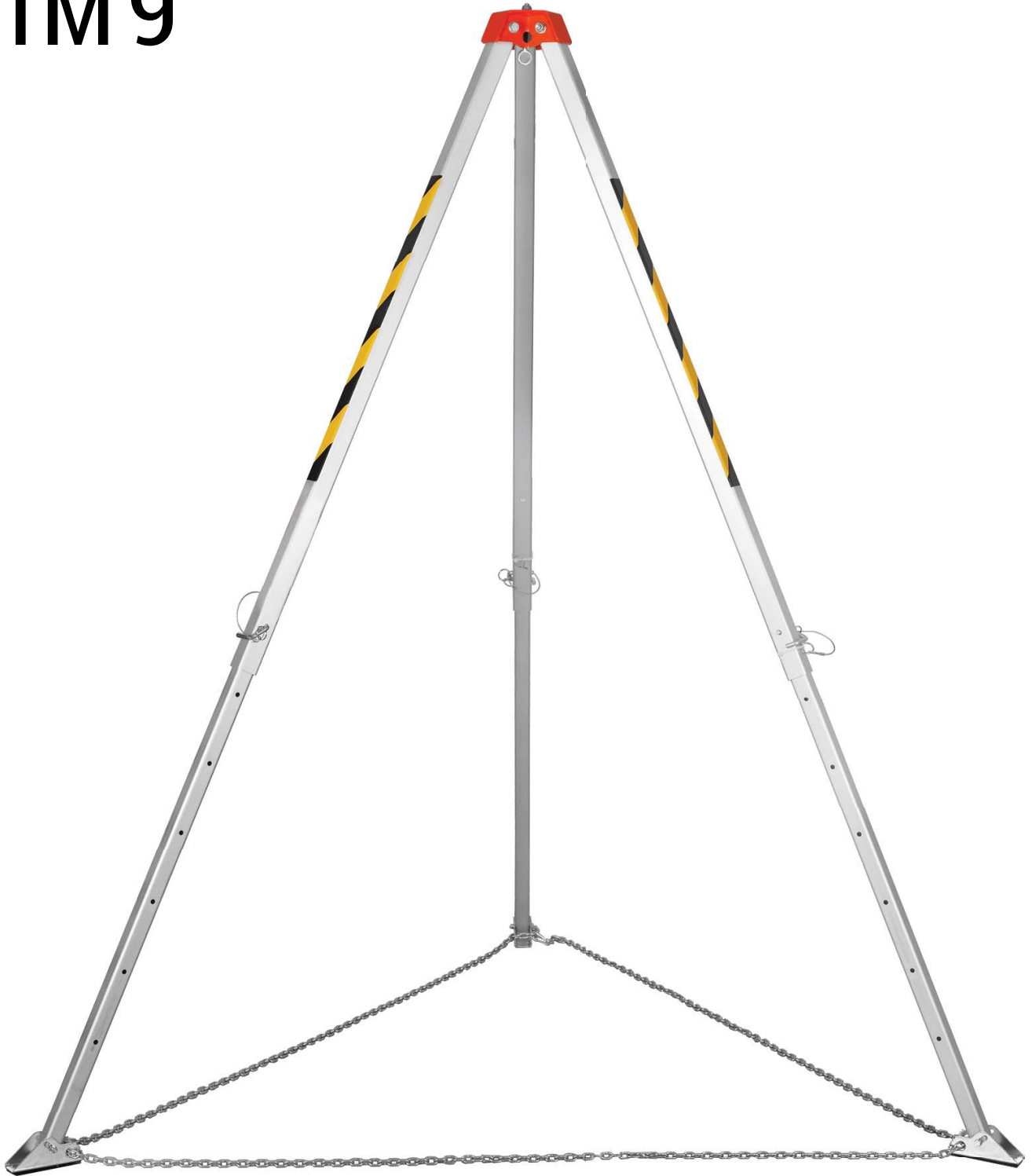




TM 9



NORM:

LIFTING
AND LOWERING:

COMPATIBLE
WITH :

EN 795/B:2012



Max.
1 person

RUP 502
CRW 200+AZ017
CRW 200+AT173
CRW 300+AZ017
CRW 300+AT171



DESCRIPTION
OF DEVICE:

Safety tripod TM 9 is a portable anchoring device intended for single person use only.



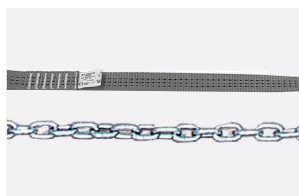
The head is made of powder coated galvanized steel. 1 central anchor point eye bolt and 3 additional side anchor points.



Aluminium legs with 7-step adjustment, locked with cot-ners.



Steel feet have rubber pads for flat surfaces and spiked edges for slippery surfaces.

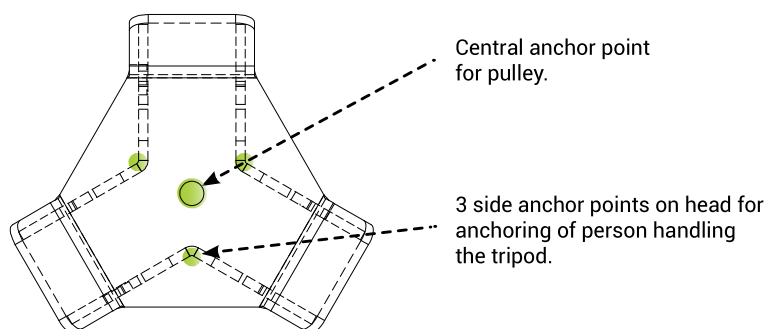


Tripod legs can be secured with textile webbing or steel chain.



Height:	147 - 229 cm
Opening diameter under tripod:	140 - 213 cm
Leg spacing:	119 - 182 cm
Device weight:	17 kg
Anchor points on head:	4
Lifting and lowering:	1 person only
Transport dimensions:	180 x 24 x 24 cm

HEAD – PLAN VIEW



DIMENSIONS

