



IKAR GB Limited

The 'TEAM' that provides Sales, Servicing and Training in Fall Arrest, Rescue and Confined Space Equipment!

DB-A2 Confined Space Tripod

This device has been manufactured, tested and certified in Germany to conform to the European Standard DIN EN 795, as a Class B Transportable Anchorage Device.

The IKAR DB-A2 Tripod has been specifically developed to create a stable, high attachment point for entry and egress of confined space work areas.

Offering a rapid assembly, it can be used with IKAR Rescue Devices (type HRA) and IKAR Load Winches (type ALKO). It can be easily set-up, does not have any loose parts and can be assembled and dismantled within minutes. Each leg has individual adjustment and a slip resistant foot to allow for uneven ground.

Product features:

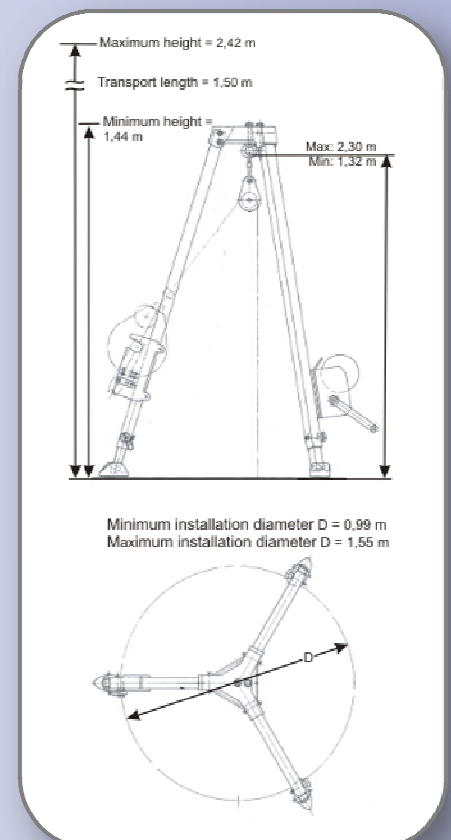
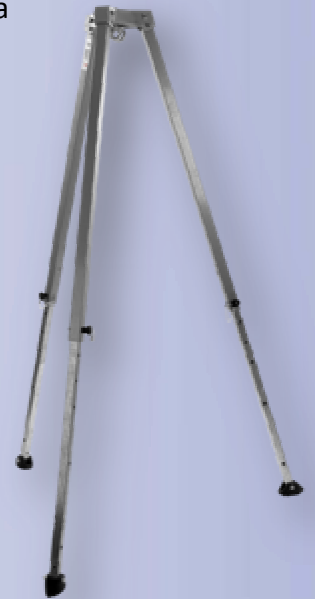
- High functional stability
- Load carrying capacity
 - S.W.L. 272Kg (2 persons) for personnel
 - S.W.L. 500Kg for load
- Height adjustment
- Minimum = 1.44m
- Maximum = 2.42m
- Transportation = 1.50m
- Stable base design
- Minimum diameter = 0.99m
- Maximum diameter = 1.55m
- Corrosion resistant coating
- Rapid assembly and disassembly
- Fast and efficient rescue when used in conjunction with IKAR HRA device
- World renowned German build quality

Suggested accessories:

- HRA Fall Arrest & Rescue Device
- HRA Mounting Bracket
- ALKO Load Winch
- ALKO Mounting Bracket
- Deflection Pulley & Karabiner
- Heavy Duty PVC Carrying & Protection Bag

IKAR GB order code:

41-50 (DBA2)



IKAR GB Limited

32 Phoenix Industrial Estate, Charles Street, West Bromwich, B70 0AY
Tel: 0844 264 0350 Fax: 0121 520 1558
www.ikargb.co.uk email: contact@ikargb.co.uk
Registered In England Company No. 6491275
VAT Number 932 2636 34